

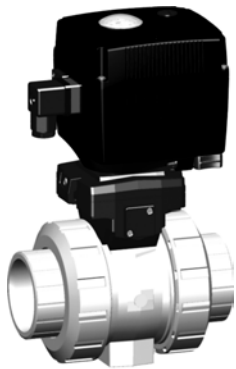
Ball valves electric

SYGEF® standard

Ball valve type 107 100-230V

With manual emergency override

With fusion sockets metric



DN10/15 - 50

Model:

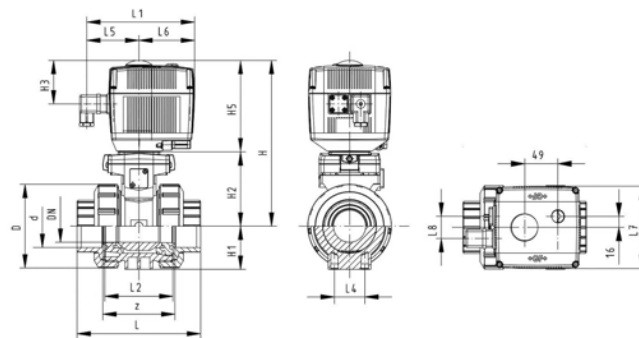
- Built on with electric actuator EA11
- Voltage 100-230 V, 50-60 Hz
- Control range 90°<
- Control time 5 s/90°<
- For easy installation and removal
- Integrated stainless steel mounting inserts

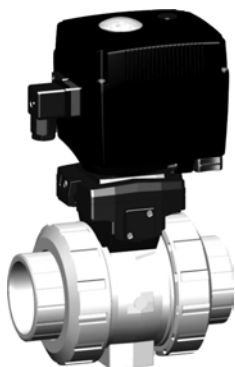
Option:

- Individual configuration of the valve (see form)

d [mm]	DN [mm]	PN	kv-value ($\Delta p=1$ bar) [l/min]	FPM Code	kg
16	10	10	70	199 107 802	2.100
20	15	10	185	199 107 803	2.100
25	20	10	350	199 107 804	2.200
32	25	10	700	199 107 805	2.300
40	32	10	1000	199 107 806	2.600
50	40	10	1600	199 107 807	3.000
63	50	10	3100	199 107 808	3.800

d [mm]	D [mm]	H [mm]	H1 [mm]	H2 [mm]	H3 [mm]	H5 [mm]	L [mm]	L1 [mm]	L2 [mm]	L4 [mm]	L5 [mm]	L6 [mm]	L7 [mm]	L8 [mm]	z [mm]
16	50	200	27	64	64	137	92	161	56	25	79	83	122	67	64
20	50	200	27	64	64	137	95	161	56	25	79	83	122	67	64
25	58	209	30	73	64	137	110	161	65	25	79	83	122	67	72
32	68	209	36	73	64	137	123	161	71	25	79	83	122	67	79
40	84	220	44	84	64	137	146	161	85	45	79	83	122	67	94
50	97	220	51	84	64	137	157	161	89	45	79	83	122	67	95
63	124	243	64	106	64	137	183	161	101	45	79	83	122	67	107





DN10/15 - 50

SYGEF® standard Ball valve type 107 24V With manual emergency override With fusion sockets metric

Model:

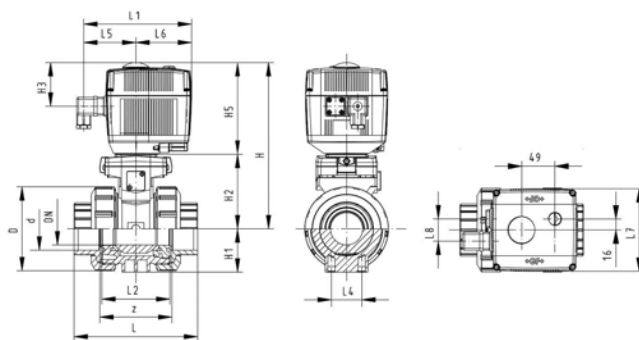
- Built on with electric actuator EA11
- Voltage 24 V AC/DC
- Control range 90°<
- Control time 5 s/90°<
- For easy installation and removal
- Integrated stainless steel mounting inserts

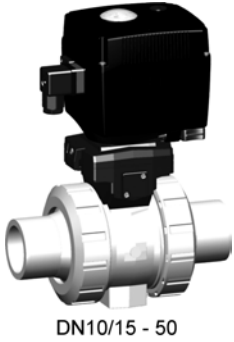
Option:

- Individual configuration of the valve (see form)

d [mm]	DN [mm]	PN	kv-value ($\Delta p=1$ bar) [l/min]	FPM Code	kg
16	10	10	70	199 107 822	2.100
20	15	10	185	199 107 823	2.100
25	20	10	350	199 107 824	2.200
32	25	10	700	199 107 825	2.300
40	32	10	1000	199 107 826	2.600
50	40	10	1600	199 107 827	3.000
63	50	10	3100	199 107 828	3.800

d [mm]	D [mm]	H [mm]	H1 [mm]	H2 [mm]	H3 [mm]	H5 [mm]	L [mm]	L1 [mm]	L2 [mm]	L4 [mm]	L5 [mm]	L6 [mm]	L7 [mm]	L8 [mm]	z [mm]
16	50	200	27	64	64	137	92	161	56	25	79	83	122	67	64
20	50	200	27	64	64	137	95	161	56	25	79	83	122	67	64
25	58	209	30	73	64	137	110	161	65	25	79	83	122	67	72
32	68	209	36	73	64	137	123	161	71	25	79	83	122	67	79
40	84	220	44	84	64	137	146	161	85	45	79	83	122	67	94
50	97	220	51	84	64	137	157	161	89	45	79	83	122	67	95
63	124	243	64	106	64	137	183	161	101	45	79	83	122	67	107





SYGEF® standard
Ball valve type 107 100-230V
With manual emergency override
With fusion spigots metric

Model:

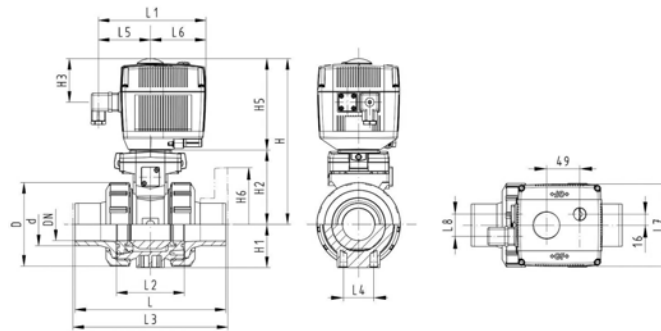
- Built on with electric actuator EA11
- Voltage 100-230 V, 50-60 Hz
- Control range 90°<
- Control time 5 s/90°<
- For easy installation and removal
- Integrated stainless steel mounting inserts

Option:

- Individual configuration of the valve (see form)

d [mm]	DN [mm]	PN	kv-value ($\Delta p=1$ bar) [l/min]	FPM Code	kg
16	10	10	70	199 107 812	2.100
20	15	10	185	199 107 813	2.100
25	20	10	350	199 107 814	2.200
32	25	10	700	199 107 815	2.300
40	32	10	1000	199 107 816	2.600
50	40	10	1600	199 107 817	3.000
63	50	10	3100	199 107 818	3.800

d [mm]	D [mm]	H [mm]	H1 [mm]	H2 [mm]	H3 [mm]	H5 [mm]	L [mm]	L1 [mm]	L2 [mm]	L3 [mm]	L4 [mm]	L5 [mm]	L6 [mm]	L7 [mm]	L8 [mm]
16	50	200	27	64	64	137	114	161	56	0	25	79	83	122	67
20	50	200	27	64	64	137	124	161	56	130	25	79	83	122	67
25	58	209	30	73	64	137	144	161	65	150	25	79	83	122	67
32	68	209	36	73	64	137	154	161	71	160	25	79	83	122	67
40	84	220	44	84	64	137	174	161	85	180	45	79	83	122	67
50	97	220	51	84	64	137	194	161	89	200	45	79	83	122	67
63	124	243	64	106	64	137	224	161	101	230	45	79	83	122	67





DN10/15 - 50

SYGEF® standard Ball valve type 107 24V With manual emergency override With fusion spigots metric

Model:

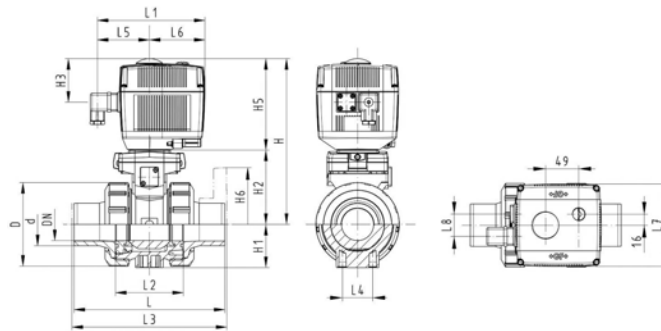
- Built on with electric actuator EA11
- Voltage 24 V AC/DC
- Control range 90°<
- Control time 5 s/90°<
- For easy installation and removal
- Integrated stainless steel mounting inserts

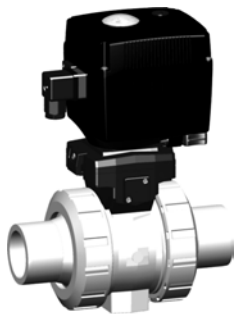
Option:

- Individual configuration of the valve (see form)

d [mm]	DN [mm]	PN	kv-value ($\Delta p=1$ bar) [l/min]	FPM Code	kg
16	10	10	70	199 107 832	2.100
20	15	10	185	199 107 833	2.100
25	20	10	350	199 107 834	2.200
32	25	10	700	199 107 835	2.300
40	32	10	1000	199 107 836	2.600
50	40	10	1600	199 107 837	3.000
63	50	10	3100	199 107 838	3.800

d [mm]	D [mm]	H [mm]	H1 [mm]	H2 [mm]	H3 [mm]	H5 [mm]	L [mm]	L1 [mm]	L2 [mm]	L3 [mm]	L4 [mm]	L5 [mm]	L6 [mm]	L7 [mm]	L8 [mm]
16	50	200	27	64	64	137	114	161	56	0	25	79	83	122	67
20	50	200	27	64	64	137	124	161	56	130	25	79	83	122	67
25	58	209	30	73	64	137	144	161	65	150	25	79	83	122	67
32	68	209	36	73	64	137	154	161	71	160	25	79	83	122	67
40	84	220	44	84	64	137	174	161	85	180	45	79	83	122	67
50	97	220	51	84	64	137	194	161	89	200	45	79	83	122	67
63	124	243	64	106	64	137	224	161	101	230	45	79	83	122	67





DN10/15 - 50

SYGEF® standard

Ball valve type 107 100-230V

With manual emergency override

With butt fusion spigots metric

Model:

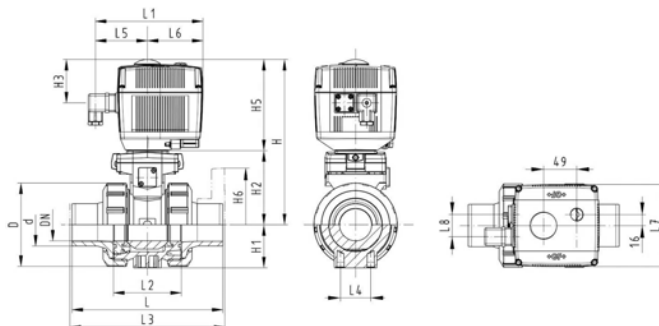
- Built on with electric actuator EA11
- Voltage 100-230 V, 50-60 Hz
- Control range 90°<
- Control time 5 s/90°<
- For easy installation and removal
- Integrated stainless steel mounting inserts

Option:

- Individual configuration of the valve (see form)

d [mm]	DN [mm]	PN	kv-value ($\Delta p=1$ bar) [l/min]	FPM Code
20	15	10	185	199 107 423
25	20	10	350	199 107 424
32	25	10	700	199 107 425
40	32	10	1000	199 107 426
50	40	10	1600	199 107 427
63	50	10	3100	199 107 428

d [mm]	D [mm]	H [mm]	H1 [mm]	H2 [mm]	H3 [mm]	H5 [mm]	L [mm]	L1 [mm]	L2 [mm]	L4 [mm]	L5 [mm]	L6 [mm]	L7 [mm]	L8 [mm]
20	50	200	27	64	64	137	130	161	56	25	79	83	122	67
25	58	209	30	73	64	137	143	161	65	25	79	83	122	67
32	68	209	36	73	64	137	150	161	71	25	79	83	122	67
40	84	220	44	84	64	137	171	161	85	45	79	83	122	67
50	97	220	51	84	64	137	191	161	89	45	79	83	122	67
63	124	243	64	106	64	137	220	161	101	45	79	83	122	67





DN10/15 - 50

SYGEF® standard Ball valve type 107 24V With manual emergency override With butt fusion spigots metric

Model:

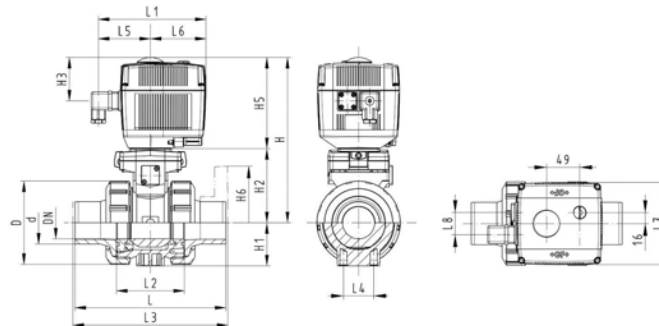
- Built on with electric actuator EA11
- Voltage 24 V AC/DC
- Control range 90°<
- Control time 5 s/90°<
- For easy installation and removal
- Integrated stainless steel mounting inserts

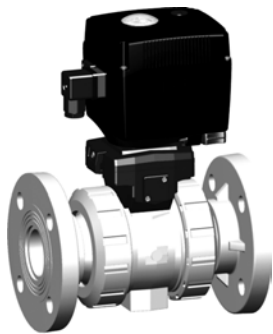
Option:

- Individual configuration of the valve (see form)

d [mm]	DN [mm]	PN	kv-value ($\Delta p=1$ bar) [l/min]	FPM Code
20	15	10	185	199 107 433
25	20	10	350	199 107 434
32	25	10	700	199 107 435
40	32	10	1000	199 107 436
50	40	10	1600	199 107 437
63	50	10	3100	199 107 438

d [mm]	D [mm]	H [mm]	H1 [mm]	H2 [mm]	H3 [mm]	H5 [mm]	L [mm]	L1 [mm]	L2 [mm]	L4 [mm]	L5 [mm]	L6 [mm]	L7 [mm]	L8 [mm]
20	50	200	27	64	64	137	130	161	56	25	79	83	122	67
25	58	209	30	73	64	137	143	161	65	25	79	83	122	67
32	68	209	36	73	64	137	150	161	71	25	79	83	122	67
40	84	220	44	84	64	137	171	161	85	45	79	83	122	67
50	97	220	51	84	64	137	191	161	89	45	79	83	122	67
63	124	243	64	106	64	137	220	161	101	45	79	83	122	67





DN10/15 - 50

SYGEF® standard Ball valve type 107 100-230V With manual emergency override With fixed flanges PVDF serrated metric

Model:

- Built on with electric actuator EA11
- Voltage 100-230 V, 50-60 Hz
- Control range 90°<
- Control time 5 s/90°<
- For easy installation and removal
- Integrated stainless steel mounting inserts
- Overall length EN 558-1
- Connecting dimensions: ISO 7005 / EN 1092 / DIN 2501 PN10 / BS4504

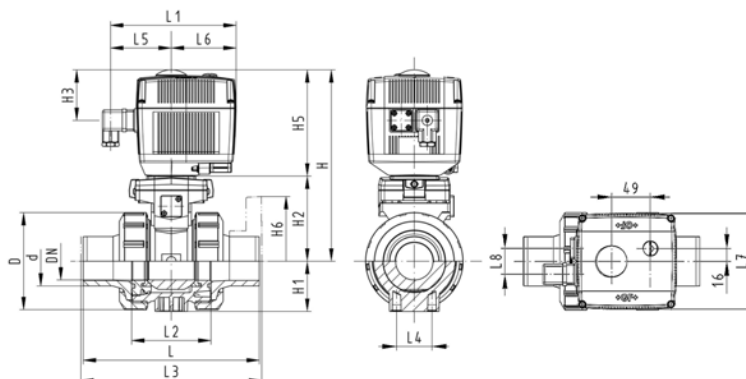
Option:

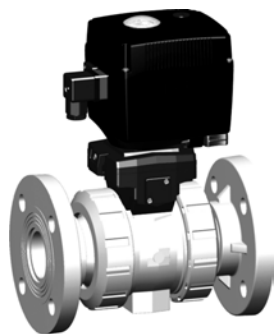
- Individual configuration of the valve (see form)

d [mm]	DN [mm]	Inch	PN	kv-value ($\Delta p=1$ bar) [l/min]	FPM Code	kg
20	15	½	10	185	199 107 843	2.300
25	20	¾	10	350	199 107 844	2.500
32	25	1	10	700	199 107 845	2.700
40	32	1 ¼	10	1000	199 107 846	3.200
50	40	1 ½	10	1600	199 107 847	3.700
63	50	2	10	3100	199 107 848	4.800

d [mm]	D [mm]	H [mm]	H1 [mm]	H2 [mm]	H3 [mm]	H5 [mm]	H6 [mm]	L [mm]	L1 [mm]	L2 [mm]	L3 [mm]	L4 [mm]	L5 [mm]	L6 [mm]	L7 [mm]
20	50	201	27	64	65	138	48	124	160	56	130	25	77	83	122
25	58	210	30	73	65	138	53	144	160	65	150	25	77	83	122
32	68	210	36	73	65	138	58	154	160	71	160	25	77	83	122
40	84	221	44	84	65	138	70	174	160	85	180	45	77	83	122
50	97	221	51	84	65	138	75	194	160	89	200	45	77	83	122
63	124	244	64	106	65	138	83	224	160	101	230	45	77	83	122

d [mm]	L8 [mm]
20	33
25	33
32	33
40	33
50	33
63	33





DN10/15 - 50

SYGEF® standard Ball valve type 107 24V With manual emergency override With fixed flanges PVDF serrated metric

Model:

- Built on with electric actuator EA11
- Voltage 24 V AC/DC
- Control range 90°<
- Control time 5 s/90°<
- For easy installation and removal
- Integrated stainless steel mounting inserts
- Overall length EN 558-1
- Connecting dimensions: ISO 7005 / EN 1092 / DIN 2501 PN10 / BS4504

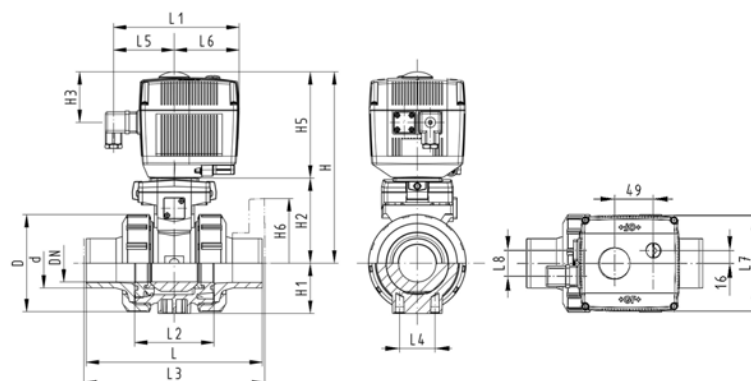
Option:

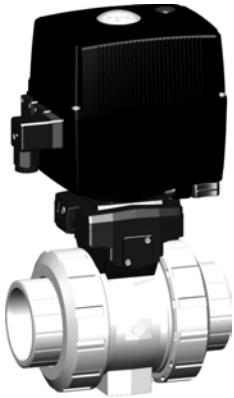
- Individual configuration of the valve (see form)

d [mm]	DN [mm]	Inch	PN	kv-value ($\Delta p=1$ bar) [l/min]	FPM Code	kg
20	15	½	10	185	199 107 853	2.300
25	20	¾	10	350	199 107 854	2.500
32	25	1	10	700	199 107 855	2.700
40	32	1 ¼	10	1000	199 107 856	3.200
50	40	1 ½	10	1600	199 107 857	3.700
63	50	2	10	3100	199 107 858	4.800

d [mm]	D [mm]	H [mm]	H1 [mm]	H2 [mm]	H3 [mm]	H5 [mm]	H6 [mm]	L [mm]	L1 [mm]	L2 [mm]	L3 [mm]	L4 [mm]	L5 [mm]	L6 [mm]	L7 [mm]
20	50	201	27	64	65	138	48	124	160	56	130	25	77	83	122
25	58	210	30	73	65	138	53	144	160	65	150	25	77	83	122
32	68	210	36	73	65	138	58	154	160	71	160	25	77	83	122
40	84	221	44	84	65	138	70	174	160	85	180	45	77	83	122
50	97	221	51	84	65	138	75	194	160	89	200	45	77	83	122
63	124	244	64	106	65	138	83	224	160	101	230	45	77	83	122

d [mm]	L8 [mm]
20	33
25	33
32	33
40	33
50	33
63	33





DN10/15 - 50

SYGEF® standard Ball valve type 132 100-230V With manual emergency override With fusion sockets metric

Model:

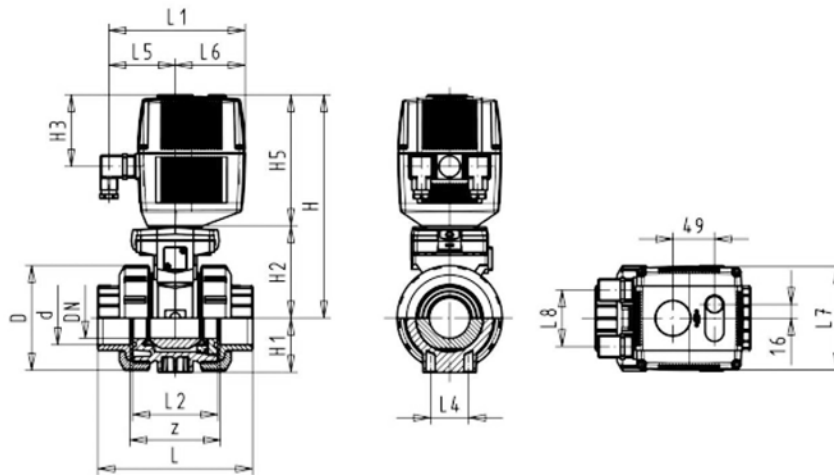
- Assignment of actuators EA21 (DN10/15-50), EA31 (DN65-100 if available)
- Voltage 100-230 V, 50-60 Hz
- Control range 90°<
- Control time 5 s/90°<
- For easy installation and removal
- Integrated stainless steel mounting inserts

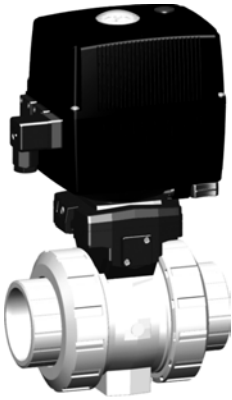
Option:

- Individual configuration of the valve (see form)

d [mm]	DN [mm]	PN	kv-value ($\Delta p=1$ bar) [l/min]	FPM Code	kg
16	10	10	70	199 132 012	2.100
20	15	10	185	199 132 013	2.100
25	20	10	350	199 132 014	2.200
32	25	10	700	199 132 015	2.300
40	32	10	1000	199 132 016	2.600
50	40	10	1600	199 132 017	3.000
63	50	10	3100	199 132 018	3.800

d [mm]	D [mm]	H [mm]	H1 [mm]	H2 [mm]	H3 [mm]	H5 [mm]	L [mm]	L1 [mm]	L2 [mm]	L4 [mm]	L5 [mm]	L6 [mm]	L7 [mm]	L8 [mm]	z [mm]
16	50	231	27	64	94	167	92	180	56	25	97	83	122	66	64
20	50	231	27	64	94	167	95	180	56	25	97	83	122	66	64
25	58	240	30	73	94	167	110	180	65	25	97	83	122	66	72
32	68	240	36	73	94	167	123	180	71	25	97	83	122	66	79
40	84	251	44	84	94	167	146	180	85	45	97	83	122	66	94
50	97	251	51	84	94	167	157	180	89	45	97	83	122	66	95
63	124	273	64	106	94	167	183	180	101	45	97	83	122	66	107





DN10/15 - 50

SYGEF® standard Ball valve type 132 24V With manual emergency override With fusion sockets metric

Model:

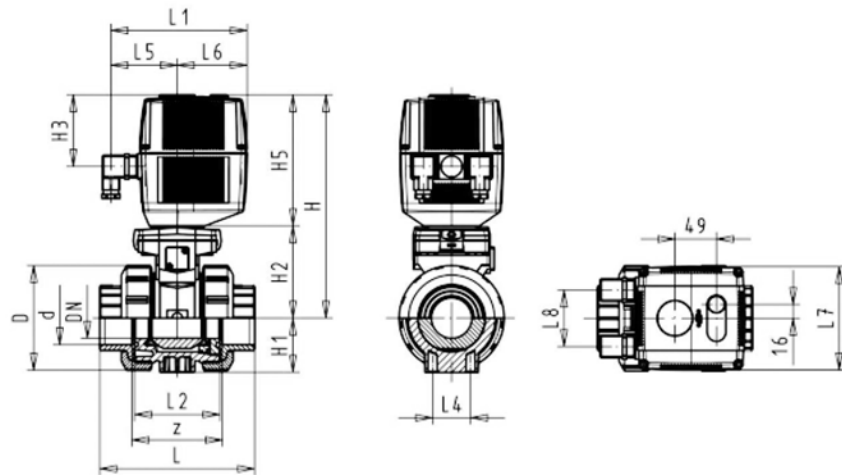
- Assignment of actuators EA21 (DN10/15-50), EA31 (DN65-100 if available)
- Voltage 24 V AC/DC
- Control range 90°<
- Control time 5 s/90°<
- For easy installation and removal
- Integrated stainless steel mounting inserts

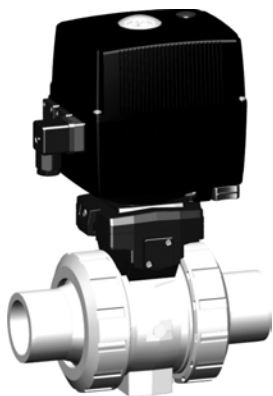
Option:

- Individual configuration of the valve (see form)

d [mm]	DN [mm]	PN	kv-value ($\Delta p=1$ bar) [l/min]	FPM Code	kg										
16	10	10	70	199 132 052	2.100										
20	15	10	185	199 132 053	2.100										
25	20	10	350	199 132 054	2.200										
32	25	10	700	199 132 055	2.300										
40	32	10	1000	199 132 056	2.600										
50	40	10	1600	199 132 057	3.000										
63	50	10	3100	199 132 058	3.800										

d [mm]	D [mm]	H [mm]	H1 [mm]	H2 [mm]	H3 [mm]	H5 [mm]	L [mm]	L1 [mm]	L2 [mm]	L4 [mm]	L5 [mm]	L6 [mm]	L7 [mm]	L8 [mm]	z [mm]
16	50	231	27	64	94	167	92	180	56	25	97	83	122	66	64
20	50	231	27	64	94	167	95	180	56	25	97	83	122	66	64
25	58	240	30	73	94	167	110	180	65	25	97	83	122	66	72
32	68	240	36	73	94	167	123	180	71	25	97	83	122	66	79
40	84	251	44	84	94	167	146	180	85	45	97	83	122	66	94
50	97	251	51	84	94	167	157	180	89	45	97	83	122	66	95
63	124	273	64	106	94	167	183	180	101	45	97	83	122	66	107





DN10/15 - 50

SYGEF® standard Ball valve type 132 100-230V With manual emergency override With fusion spigots metric

Model:

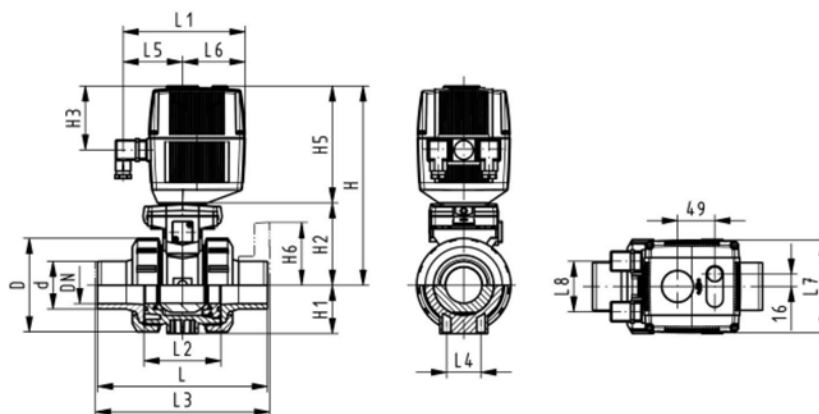
- Assignment of actuators EA21 (DN10/15-50), EA31 (DN65-100 if available)
- Voltage 100-230 V, 50-60 Hz
- Control range 90°<
- Control time 5 s/90°<
- For easy installation and removal
- Integrated stainless steel mounting inserts

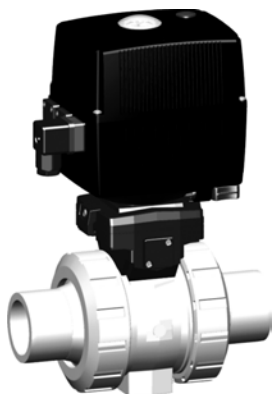
Option:

- Individual configuration of the valve (see form)

d [mm]	DN [mm]	PN	kv-value ($\Delta p=1$ bar) [l/min]	FPM Code	kg
16	10	10	70	199 132 032	2.100
20	15	10	185	199 132 033	2.100
25	20	10	350	199 132 034	2.200
32	25	10	700	199 132 035	2.300
40	32	10	1000	199 132 036	2.600
50	40	10	1600	199 132 037	3.000
63	50	10	3100	199 132 038	3.800

d [mm]	D [mm]	H [mm]	H1 [mm]	H2 [mm]	H3 [mm]	H5 [mm]	L [mm]	L1 [mm]	L2 [mm]	L3 [mm]	L4 [mm]	L5 [mm]	L6 [mm]	L7 [mm]	L8 [mm]
16	50	231	27	64	94	167	114	180	56	130	25	97	83	122	66
20	50	231	27	64	94	167	124	180	56	130	25	97	83	122	66
25	58	240	30	73	94	167	144	180	65	150	25	97	83	122	66
32	68	240	36	73	94	167	154	180	71	160	25	97	83	122	66
40	84	251	44	84	94	167	174	180	85	180	45	97	83	122	66
50	97	251	51	84	94	167	194	180	89	200	45	97	83	122	66
63	124	273	64	106	94	167	224	180	101	230	45	97	83	122	66





DN10/15 - 50

SYGEF® standard Ball valve type 132 24V With manual emergency override With fusion spigots metric

Model:

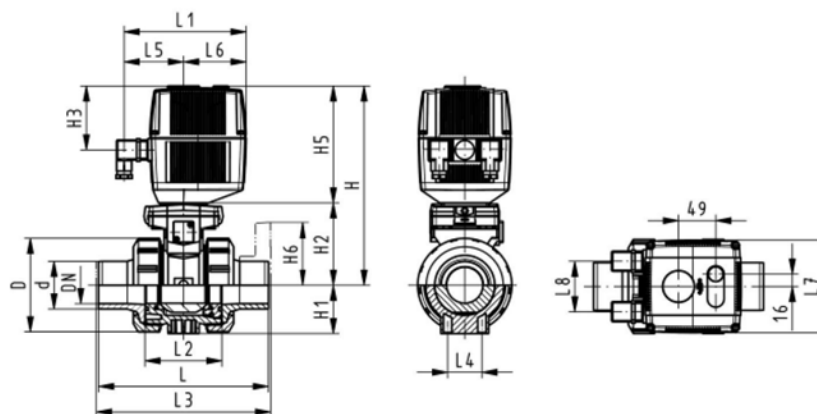
- Assignment of actuators EA21 (DN10/15-50), EA31 (DN65-100 if available)
- Voltage 24 V AC/DC
- Control range 90°<
- Control time 5 s/90°<
- For easy installation and removal
- Integrated stainless steel mounting inserts

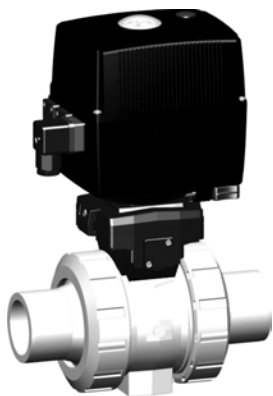
Option:

- Individual configuration of the valve (see form)

d [mm]	DN [mm]	PN	kv-value ($\Delta p=1$ bar) [l/min]	FPM Code	kg
16	10	10	70	199 132 072	2.100
20	15	10	185	199 132 073	2.100
25	20	10	350	199 132 074	2.200
32	25	10	700	199 132 075	2.300
40	32	10	1000	199 132 076	2.600
50	40	10	1600	199 132 077	3.000
63	50	10	3100	199 132 078	3.800

d [mm]	D [mm]	H [mm]	H1 [mm]	H2 [mm]	H3 [mm]	H5 [mm]	L [mm]	L1 [mm]	L2 [mm]	L3 [mm]	L4 [mm]	L5 [mm]	L6 [mm]	L7 [mm]	L8 [mm]
16	50	231	27	64	94	167	114	180	56	130	25	97	83	122	66
20	50	231	27	64	94	167	124	180	56	130	25	97	83	122	66
25	58	240	30	73	94	167	144	180	65	150	25	97	83	122	66
32	68	240	36	73	94	167	154	180	71	160	25	97	83	122	66
40	84	251	44	84	94	167	174	180	85	180	45	97	83	122	66
50	97	251	51	84	94	167	194	180	89	200	45	97	83	122	66
63	124	273	64	106	94	167	224	180	101	230	45	97	83	122	66





DN10/15 - 50

SYGEF® standard Ball valve type 132 100-230V With manual emergency override With butt fusion spigots metric

Model:

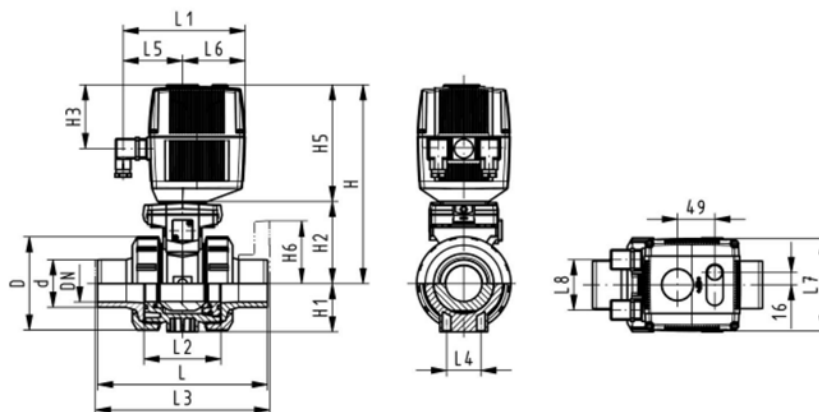
- Assignment of actuators EA21 (DN10/15-50), EA31 (DN65-100 if available)
- Voltage 100-230 V, 50-60 Hz
- Control range 90°<
- Control time 5 s/90°<
- For easy installation and removal
- Integrated stainless steel mounting inserts

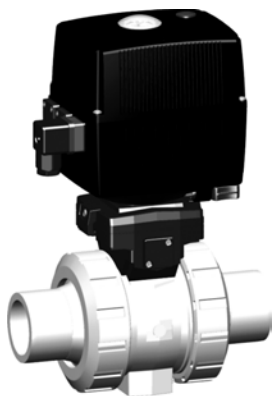
Option:

- Individual configuration of the valve (see form)

d [mm]	DN [mm]	PN	kv-value ($\Delta p=1$ bar) [l/min]	FPM Code
20	15	10	185	199 132 113
25	20	10	350	199 132 114
32	25	10	700	199 132 115
40	32	10	1000	199 132 116
50	40	10	1600	199 132 117
63	50	10	3100	199 132 118

d [mm]	D [mm]	H [mm]	H1 [mm]	H2 [mm]	H3 [mm]	H5 [mm]	L [mm]	L1 [mm]	L2 [mm]	L4 [mm]	L5 [mm]	L6 [mm]	L7 [mm]	L8 [mm]
20	50	231	27	64	94	167	130	180	56	25	97	83	122	66
25	58	240	30	73	94	167	143	180	65	25	97	83	122	66
32	68	240	36	73	94	167	150	180	71	25	97	83	122	66
40	84	251	44	84	94	167	171	180	85	45	97	83	122	66
50	97	251	51	84	94	167	191	180	89	45	97	83	122	66
63	124	273	64	106	94	167	220	180	101	45	97	83	122	66





DN10/15 - 50

SYGEF® standard Ball valve type 132 24V With manual emergency override With butt fusion spigots metric

Model:

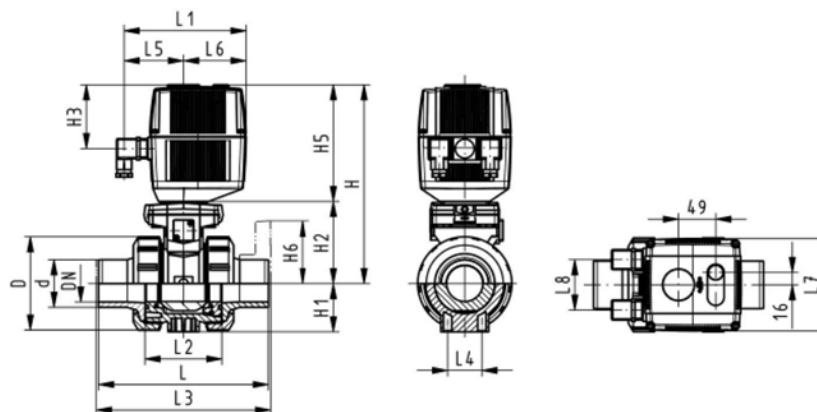
- Assignment of actuators EA21 (DN10/15-50), EA31 (DN65-100 if available)
- Voltage 24 V AC/DC
- Control range 90°<
- Control time 5 s/90°<
- For easy installation and removal
- Integrated stainless steel mounting inserts

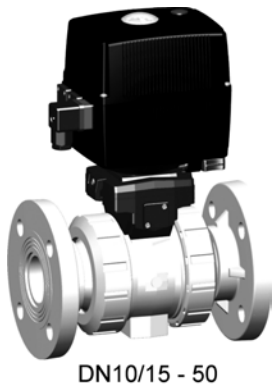
Option:

- Individual configuration of the valve (see form)

d [mm]	DN [mm]	PN	kv-value ($\Delta p=1$ bar) [l/min]	FPM Code
20	15	10	185	199 132 153
25	20	10	350	199 132 154
32	25	10	700	199 132 155
40	32	10	1000	199 132 156
50	40	10	1600	199 132 157
63	50	10	3100	199 132 158

d [mm]	D [mm]	H [mm]	H1 [mm]	H2 [mm]	H3 [mm]	H5 [mm]	L [mm]	L1 [mm]	L2 [mm]	L4 [mm]	L5 [mm]	L6 [mm]	L7 [mm]	L8 [mm]
20	50	231	27	64	94	167	130	180	56	25	97	83	122	66
25	58	240	30	73	94	167	143	180	65	25	97	83	122	66
32	68	240	36	73	94	167	150	180	71	25	97	83	122	66
40	84	251	44	84	94	167	171	180	85	45	97	83	122	66
50	97	251	51	84	94	167	191	180	89	45	97	83	122	66
63	124	273	64	106	94	167	220	180	101	45	97	83	122	66





SYGEF® standard
Ball valve type 132 100-230V
With manual emergency override
With fixed flanges PVDF serrated metric

Model:

- Assignment of actuators EA21 (DN10/15-50), EA31 (DN65-100 if available)
- Voltage 100-230 V, 50-60 Hz
- Control range 90°<
- Control time 5 s/90°<
- For easy installation and removal
- Integrated stainless steel mounting inserts
- Overall length EN 558-1
- Connecting dimensions: ISO 7005 / EN 1092 / DIN 2501 PN10 / BS4504

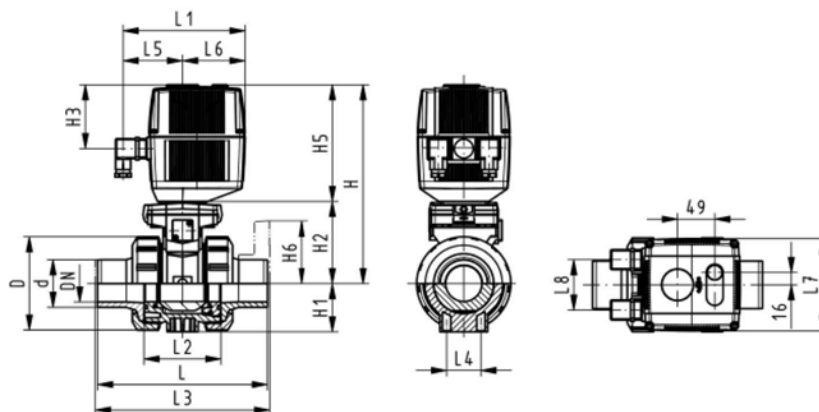
Option:

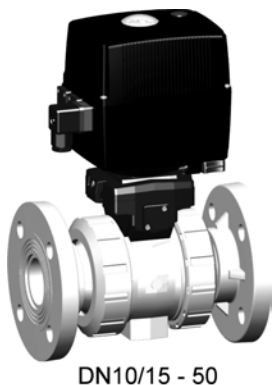
- Individual configuration of the valve (see form)

d [mm]	DN [mm]	Inch	PN	kv-value ($\Delta p=1$ bar) [l/min]	FPM Code	kg
20	15	½	10	185	199 132 083	2.300
25	20	¾	10	350	199 132 084	2.500
32	25	1	10	700	199 132 085	2.700
40	32	1 ¼	10	1000	199 132 086	3.200
50	40	1 ½	10	1600	199 132 087	3.700
63	50	2	10	3100	199 132 088	4.800

d [mm]	D [mm]	H [mm]	H1 [mm]	H2 [mm]	H3 [mm]	H5 [mm]	H6 [mm]	L [mm]	L1 [mm]	L2 [mm]	L3 [mm]	L4 [mm]	L5 [mm]	L6 [mm]	L7 [mm]
20	50	231	27	64	94	167	48	124	180	56	130	25	98	83	122
25	58	240	30	73	94	167	53	144	180	65	150	25	97	83	122
32	68	240	36	73	94	167	58	154	180	71	160	25	97	83	122
40	84	251	44	84	94	167	70	174	180	85	180	45	97	83	122
50	97	251	51	84	94	167	75	194	180	89	200	45	98	83	122
63	124	273	64	106	94	167	83	224	180	101	230	45	97	83	122

d [mm]	L8 [mm]
20	66
25	66
32	66
40	66
50	66
63	66





SYGEF® standard
Ball valve type 132 24V
With manual emergency override
With fixed flanges PVDF serrated metric

Model:

- Assignment of actuators EA21 (DN10/15-50), EA31 (DN65-100 if available)
- Voltage 24 V AC/DC
- Control range 90°<
- Control time 5 s/90°<
- For easy installation and removal
- Integrated stainless steel mounting inserts
- Overall length EN 558-1
- Connecting dimensions: ISO 7005 / EN 1092 / DIN 2501 PN10 / BS4504

Option:

- Individual configuration of the valve (see form)

d [mm]	DN [mm]	Inch	PN	kv-value ($\Delta p=1$ bar) [l/min]	FPM Code	kg
20	15	½	10	185	199 132 093	2.300
25	20	¾	10	350	199 132 094	2.500
32	25	1	10	700	199 132 095	2.700
40	32	1 ¼	10	1000	199 132 096	3.200
50	40	1 ½	10	1600	199 132 097	3.700
63	50	2	10	3100	199 132 098	4.800

d [mm]	D [mm]	H [mm]	H1 [mm]	H2 [mm]	H3 [mm]	H5 [mm]	H6 [mm]	L [mm]	L1 [mm]	L2 [mm]	L3 [mm]	L4 [mm]	L5 [mm]	L6 [mm]	L7 [mm]
20	50	231	27	64	94	167	48	124	180	56	130	25	98	83	122
25	58	240	30	73	94	167	53	144	180	65	150	25	97	83	122
32	68	240	36	73	94	167	58	154	180	71	160	25	97	83	122
40	84	251	44	84	94	167	70	174	180	85	180	45	97	83	122
50	97	251	51	84	94	167	75	194	180	89	200	45	98	83	122
63	124	273	64	106	94	167	83	224	180	101	230	45	97	83	122

d [mm]	L8 [mm]
20	66
25	66
32	66
40	66
50	66
63	66

