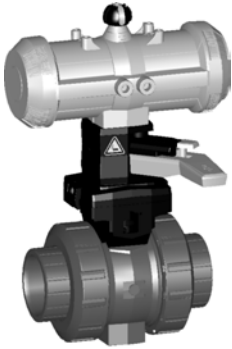


Ball valves pneumatic

Ball valve type 230 PVC-U FC (Fail safe to close) With manual override With solvent cement sockets metric



DN10/15 - 50

Model:

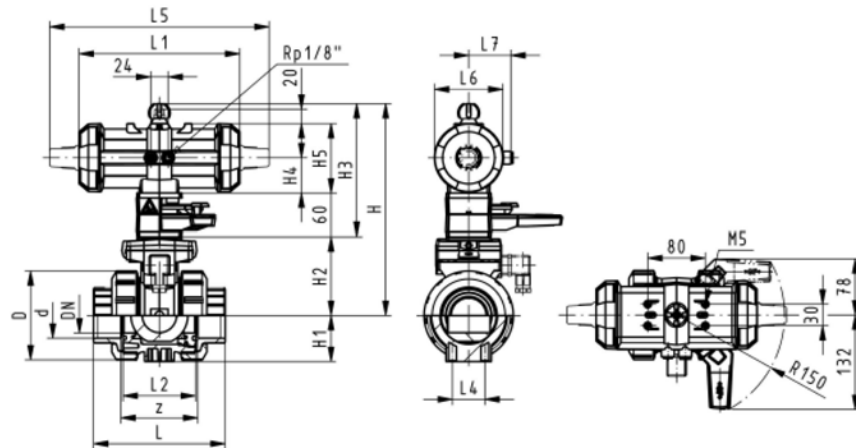
- Built on with pneumatic actuator PA11/21
- For easy installation and removal
- Integrated stainless steel mounting inserts
- Control time 90°<) 1-2 s

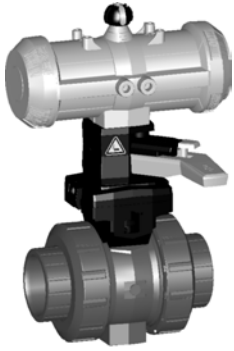
Option:

- Individual configuration of the valve (see form)

d [mm]	DN [mm]	PN	kv-value ($\Delta p=1$ bar) [l/min]	EPDM Code	FPM Code	kg
16	10	10	70	199 230 002	199 230 012	1.459
20	15	10	185	199 230 003	199 230 013	1.459
25	20	10	350	199 230 004	199 230 014	1.576
32	25	10	700	199 230 005	199 230 015	1.700
40	32	10	1000	199 230 006	199 230 016	2.751
50	40	10	1600	199 230 007	199 230 017	3.073
63	50	10	3100	199 230 008	199 230 018	3.931

d [mm]	D [mm]	H [mm]	H1 [mm]	H2 [mm]	H3 [mm]	H4 [mm]	H5 [mm]	L [mm]	L1 [mm]	L2 [mm]	L4 [mm]	L5 [mm]	L6 [mm]	L7 [mm]	z [mm]
16	50	230	27	62	168	40	97	92	194	56	25	261	76	48	64
20	50	230	27	62	168	40	97	95	194	56	25	261	76	48	64
25	58	239	30	71	168	40	97	110	194	65	25	261	76	48	72
32	68	239	36	71	168	40	97	123	194	71	25	261	76	48	79
40	84	271	44	84	187	51	115	146	224	85	45	305	95	59	94
50	97	271	51	84	187	51	115	157	224	89	45	305	95	59	95
63	124	293	64	106	187	51	115	183	224	101	45	305	95	59	107





DN10/15 - 50

Ball valve type 230 PVC-U FO (Fail safe to open) With manual override With solvent cement sockets metric

Model:

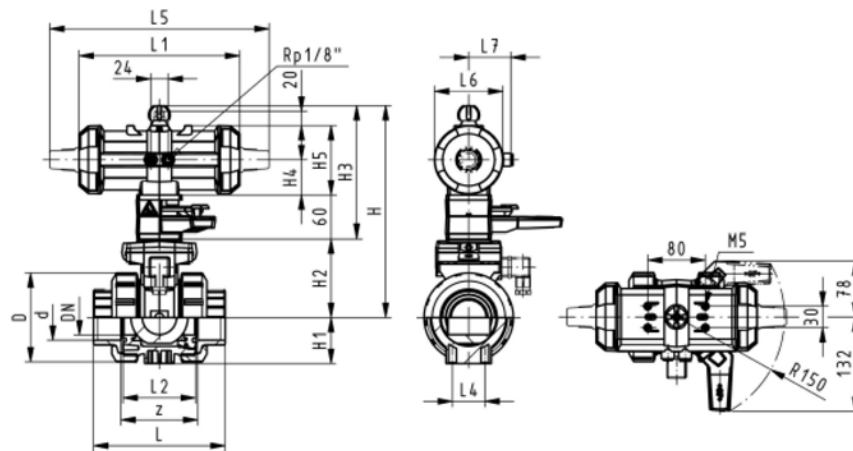
- Built on with pneumatic actuator PA11/21
- For easy installation and removal
- Integrated stainless steel mounting inserts
- Control time 90° < 1-2 s

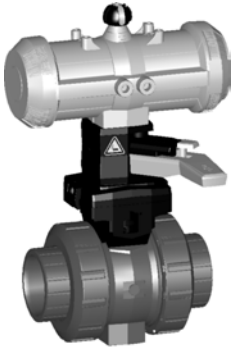
Option:

- Individual configuration of the valve (see form)

d [mm]	DN [mm]	PN	kv-value ($\Delta p=1$ bar) [l/min]	EPDM Code	FPM Code	kg
16	10	10	70	199 230 042	199 230 052	1.459
20	15	10	185	199 230 043	199 230 053	1.459
25	20	10	350	199 230 044	199 230 054	1.576
32	25	10	700	199 230 045	199 230 055	1.700
40	32	10	1000	199 230 046	199 230 056	2.751
50	40	10	1600	199 230 047	199 230 057	3.073
63	50	10	3100	199 230 048	199 230 058	3.931

d [mm]	D [mm]	H [mm]	H1 [mm]	H2 [mm]	H3 [mm]	H4 [mm]	H5 [mm]	L [mm]	L1 [mm]	L2 [mm]	L4 [mm]	L5 [mm]	L6 [mm]	L7 [mm]	z [mm]
16	50	230	27	62	168	40	97	92	194	56	25	261	76	48	64
20	50	230	27	62	168	40	97	95	194	56	25	261	76	48	64
25	58	239	30	71	168	40	97	110	194	65	25	261	76	48	72
32	68	239	36	71	168	40	97	123	194	71	25	261	76	48	79
40	84	271	44	84	187	51	115	146	224	85	45	305	95	59	94
50	97	271	51	84	187	51	115	157	224	89	45	305	95	59	95
63	124	293	64	106	187	51	115	183	224	101	45	305	95	59	107





DN10/15 - 50

Ball valve type 230 PVC-U DA (Double acting) With manual override With solvent cement sockets metric

Model:

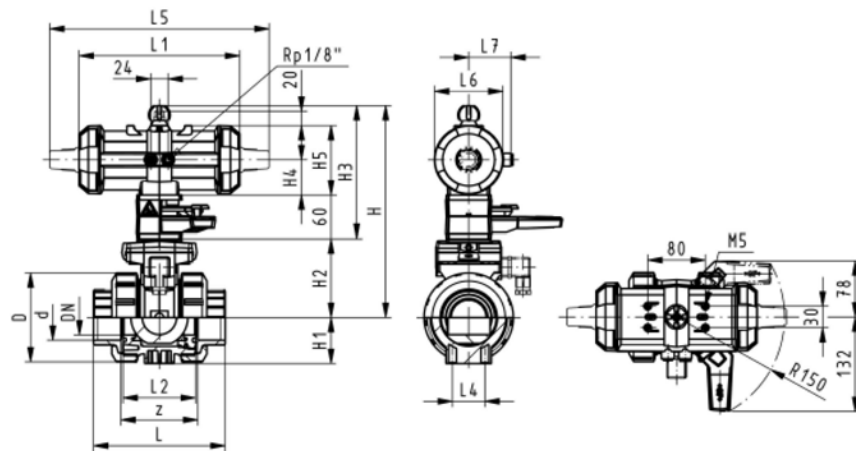
- Built on with pneumatic actuator PA11/21
- For easy installation and removal
- Integrated stainless steel mounting inserts
- Control time 90°<) 1-2 s

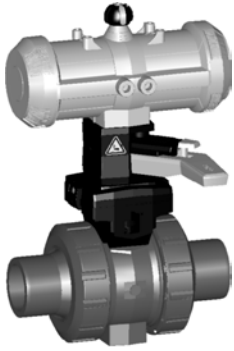
Option:

- Individual configuration of the valve (see form)

d [mm]	DN [mm]	PN	kv-value ($\Delta p=1$ bar) [l/min]	EPDM Code	FPM Code	kg
16	10	10	70	199 230 082	199 230 092	1.459
20	15	10	185	199 230 083	199 230 093	1.459
25	20	10	350	199 230 084	199 230 094	1.576
32	25	10	700	199 230 085	199 230 095	1.700
40	32	10	1000	199 230 086	199 230 096	2.751
50	40	10	1600	199 230 087	199 230 097	3.073
63	50	10	3100	199 230 088	199 230 098	3.931

d [mm]	D [mm]	H [mm]	H1 [mm]	H2 [mm]	H3 [mm]	H4 [mm]	H5 [mm]	L [mm]	L1 [mm]	L2 [mm]	L4 [mm]	L5 [mm]	L6 [mm]	L7 [mm]	z [mm]
16	50	230	27	62	168	40	97	92	194	56	25	261	76	48	64
20	50	230	27	62	168	40	97	95	194	56	25	261	76	48	64
25	58	239	30	71	168	40	97	110	194	65	25	261	76	48	72
32	68	239	36	71	168	40	97	123	194	71	25	261	76	48	79
40	84	271	44	84	187	51	115	146	224	85	45	305	95	59	94
50	97	271	51	84	187	51	115	157	224	89	45	305	95	59	95
63	124	293	64	106	187	51	115	183	224	101	45	305	95	59	107





DN10/15 - 50

Ball valve type 230 PVC-U FC (Fail safe to close) With manual override With solvent cement spigots metric

Model:

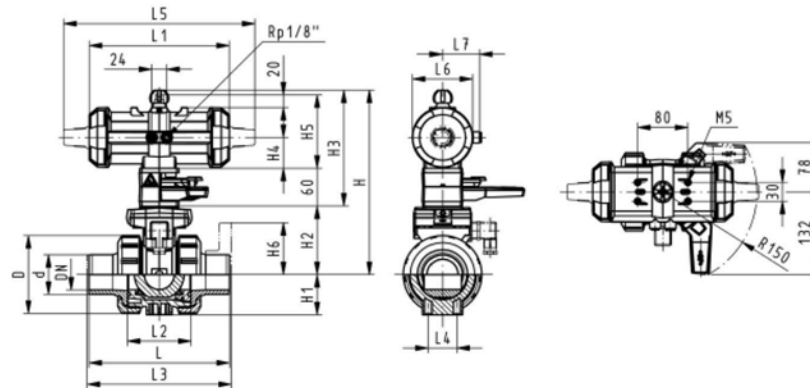
- Built on with pneumatic actuator PA11/21
- For easy installation and removal
- Integrated stainless steel mounting inserts
- Control time $90^\circ <$ 1-2 s

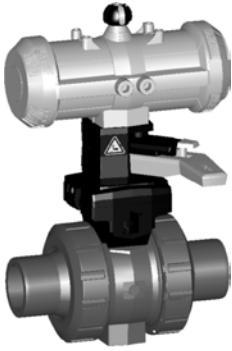
Option:

- Individual configuration of the valve (see form)

d [mm]	DN [mm]	PN	kv-value ($\Delta p=1$ bar) [l/min]	EPDM Code	FPM Code	kg
16	10	10	70	199 230 022	199 230 032	1.459
20	15	10	185	199 230 023	199 230 033	1.459
25	20	10	350	199 230 024	199 230 034	1.576
32	25	10	700	199 230 025	199 230 035	1.700
40	32	10	1000	199 230 026	199 230 036	2.751
50	40	10	1600	199 230 027	199 230 037	3.073
63	50	10	3100	199 230 028	199 230 038	3.931

d [mm]	D [mm]	H [mm]	H1 [mm]	H2 [mm]	H3 [mm]	H4 [mm]	H5 [mm]	L [mm]	L1 [mm]	L2 [mm]	L3 [mm]	L4 [mm]	L5 [mm]	L6 [mm]	L7 [mm]
16	50	230	27	62	168	40	97	114	194	56	130	25	261	76	48
20	50	230	27	62	168	40	97	124	194	56	130	25	261	76	48
25	58	239	30	71	168	40	97	144	194	65	150	25	261	76	48
32	68	239	36	71	168	40	97	154	194	71	160	25	261	76	48
40	84	271	44	84	187	51	115	174	224	85	180	45	305	95	59
50	97	271	51	84	187	51	115	194	224	89	200	45	305	95	59
63	124	293	64	106	187	51	115	224	224	101	230	45	305	95	59





DN10/15 - 50

Ball valve type 230 PVC-U FO (Fail safe to open) With manual override With solvent cement spigots metric

Model:

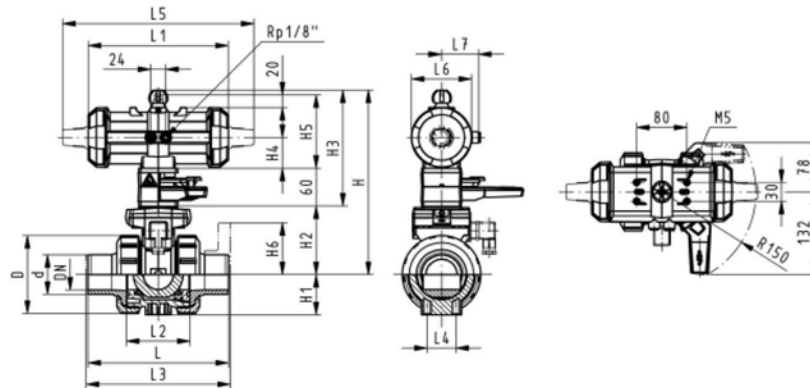
- Built on with pneumatic actuator PA11/21
- For easy installation and removal
- Integrated stainless steel mounting inserts
- Control time 90°<) 1-2 s

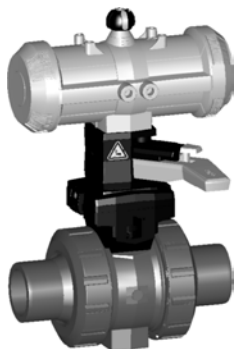
Option:

- Individual configuration of the valve (see form)

d [mm]	DN [mm]	PN	kv-value ($\Delta p=1$ bar) [l/min]	EPDM Code	FPM Code	kg
16	10	10	70	199 230 062	199 230 072	1.459
20	15	10	185	199 230 063	199 230 073	1.459
25	20	10	350	199 230 064	199 230 074	1.576
32	25	10	700	199 230 065	199 230 075	1.700
40	32	10	1000	199 230 066	199 230 076	2.751
50	40	10	1600	199 230 067	199 230 077	3.073
63	50	10	3100	199 230 068	199 230 078	3.931

d [mm]	D [mm]	H [mm]	H1 [mm]	H2 [mm]	H3 [mm]	H4 [mm]	H5 [mm]	L [mm]	L1 [mm]	L2 [mm]	L3 [mm]	L4 [mm]	L5 [mm]	L6 [mm]	L7 [mm]
16	50	230	27	62	168	40	97	114	194	56	130	25	261	76	48
20	50	230	27	62	168	40	97	124	194	56	130	25	261	76	48
25	58	239	30	71	168	40	97	144	194	65	150	25	261	76	48
32	68	239	36	71	168	40	97	154	194	71	160	25	261	76	48
40	84	271	44	84	187	51	115	174	224	85	180	45	305	95	59
50	97	271	51	84	187	51	115	194	224	89	200	45	305	95	59
63	124	293	64	106	187	51	115	224	224	101	230	45	305	95	59





DN10/15 - 50

Ball valve type 230 PVC-U DA (Double acting) With manual override With solvent cement spigots metric

Model:

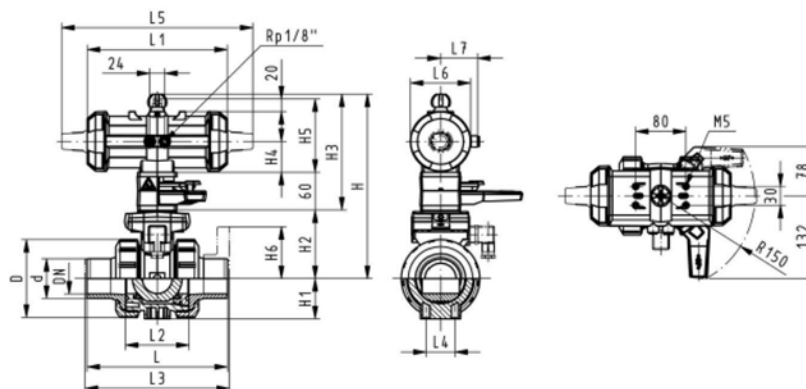
- Built on with pneumatic actuator PA11/21
- For easy installation and removal
- Integrated stainless steel mounting inserts
- Control time $90^\circ <$ 1-2 s

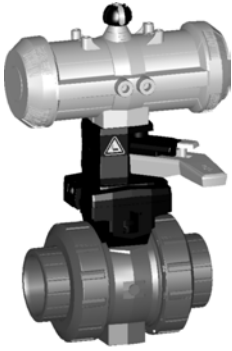
Option:

- Individual configuration of the valve (see form)

d [mm]	DN [mm]	PN	kv-value ($\Delta p=1$ bar) [l/min]	EPDM Code	FPM Code	kg
16	10	10	70	199 230 102	199 230 112	1.459
20	15	10	185	199 230 103	199 230 113	1.459
25	20	10	350	199 230 104	199 230 114	1.576
32	25	10	700	199 230 105	199 230 115	1.700
40	32	10	1000	199 230 106	199 230 116	2.751
50	40	10	1600	199 230 107	199 230 117	3.073
63	50	10	3100	199 230 108	199 230 118	3.931

d [mm]	D [mm]	H [mm]	H1 [mm]	H2 [mm]	H3 [mm]	H4 [mm]	H5 [mm]	L [mm]	L1 [mm]	L2 [mm]	L3 [mm]	L4 [mm]	L5 [mm]	L6 [mm]	L7 [mm]
16	50	230	27	62	168	40	97	114	194	56	130	25	261	76	48
20	50	230	27	62	168	40	97	124	194	56	130	25	261	76	48
25	58	239	30	71	168	40	97	144	194	65	150	25	261	76	48
32	68	239	36	71	168	40	97	154	194	71	160	25	261	76	48
40	84	271	44	84	187	51	115	174	224	85	180	45	305	95	59
50	97	271	51	84	187	51	115	194	224	89	200	45	305	95	59
63	124	293	64	106	187	51	115	224	224	101	230	45	305	95	59





DN10/15 - 50

Ball valve type 230 PVC-U FC (Fail safe to close) With manual override With threaded sockets Rp

Model:

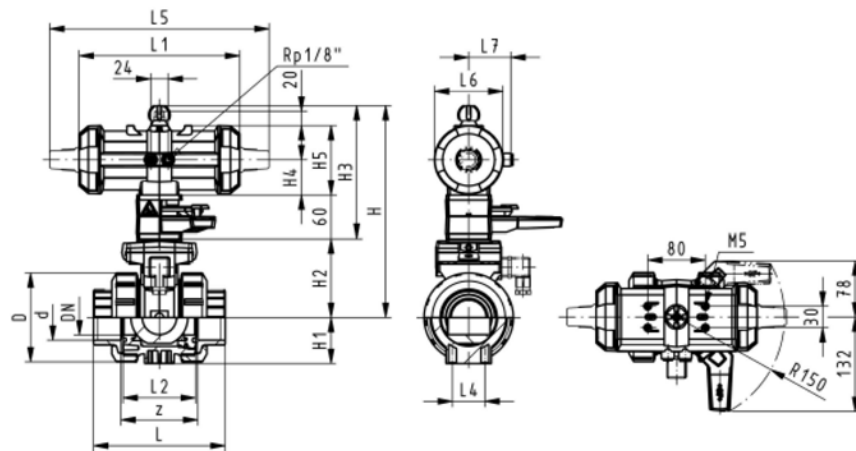
- Built on with pneumatic actuator PA11/21
- For easy installation and removal
- Integrated stainless steel mounting inserts
- Control time 90°<) 1-2 s

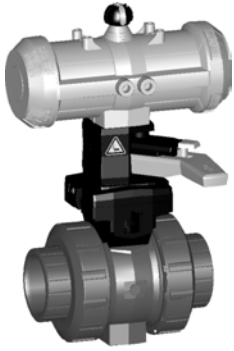
Option:

- Individual configuration of the valve (see form)

Rp [inch]	DN [mm]	PN	kv-value ($\Delta p=1$ bar) [l/min]	EPDM Code	FPM Code	kg
3/8	10	10	70	199 230 362	199 230 372	1.500
1/2	15	10	185	199 230 363	199 230 373	1.500
3/4	20	10	350	199 230 364	199 230 374	1.600
1	25	10	700	199 230 365	199 230 375	1.700
1 1/4	32	10	1000	199 230 366	199 230 376	2.800
1 1/2	40	10	1600	199 230 367	199 230 377	3.100
2	50	10	3100	199 230 368	199 230 378	4.000

Rp [inch]	D [mm]	H [mm]	H1 [mm]	H2 [mm]	H3 [mm]	H4 [mm]	H5 [mm]	L [mm]	L1 [mm]	L2 [mm]	L4 [mm]	L5 [mm]	L6 [mm]	L7 [mm]	z [mm]
3/8	50	230	27	62	168	40	97	92	194	56	25	261	76	48	64
1/2	50	230	27	62	168	40	97	95	194	56	25	261	76	48	64
3/4	58	239	30	71	168	40	97	110	194	65	25	261	76	48	72
1	68	239	36	71	168	40	97	123	194	71	25	261	76	48	79
1 1/4	84	271	44	84	187	51	115	146	224	85	45	305	95	59	94
1 1/2	97	271	51	84	187	51	115	157	224	89	45	305	95	59	95
2	124	293	64	106	187	51	115	183	224	101	45	305	95	59	107





DN10/15 - 50

Ball valve type 230 PVC-U FO (Fail safe to open) With manual override With threaded sockets Rp

Model:

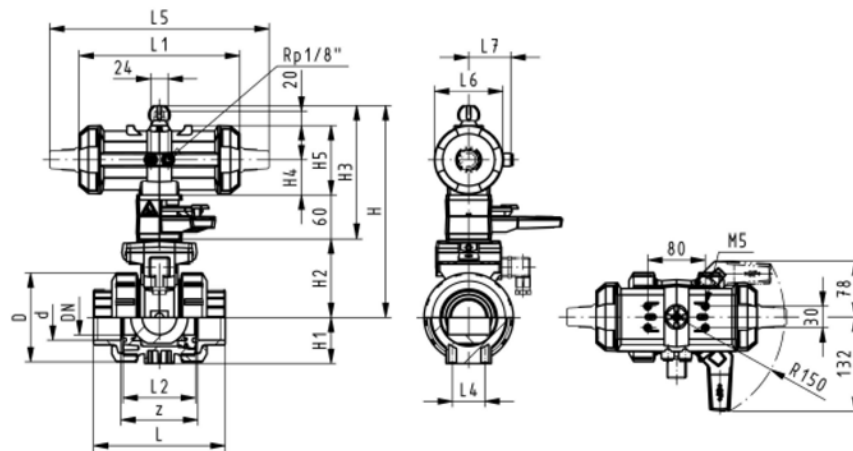
- Built on with pneumatic actuator PA11/21
- For easy installation and removal
- Integrated stainless steel mounting inserts
- Control time $90^\circ <$) 1-2 s

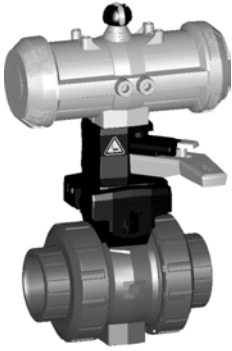
Option:

- Individual configuration of the valve (see form)

Rp [inch]	DN [mm]	PN	kv-value ($\Delta p=1$ bar) [l/min]	EPDM Code	FPM Code	kg
$\frac{3}{8}$	10	10	70	199 230 382	199 230 392	1.500
$\frac{1}{2}$	15	10	185	199 230 383	199 230 393	1.500
$\frac{3}{4}$	20	10	350	199 230 384	199 230 394	1.600
1	25	10	700	199 230 385	199 230 395	1.700
1 $\frac{1}{4}$	32	10	1000	199 230 386	199 230 396	2.800
1 $\frac{1}{2}$	40	10	1600	199 230 387	199 230 397	3.100
2	50	10	3100	199 230 388	199 230 398	4.000

Rp [inch]	D [mm]	H [mm]	H1 [mm]	H2 [mm]	H3 [mm]	H4 [mm]	H5 [mm]	L [mm]	L1 [mm]	L2 [mm]	L4 [mm]	L5 [mm]	L6 [mm]	L7 [mm]	z [mm]
$\frac{3}{8}$	50	230	27	62	168	40	97	92	194	56	25	261	76	48	64
$\frac{1}{2}$	50	230	27	62	168	40	97	95	194	56	25	261	76	48	64
$\frac{3}{4}$	58	239	30	71	168	40	97	110	194	65	25	261	76	48	72
1	68	239	36	71	168	40	97	123	194	71	25	261	76	48	79
1 $\frac{1}{4}$	84	271	44	84	187	51	115	146	224	85	45	305	95	59	94
1 $\frac{1}{2}$	97	271	51	84	187	51	115	157	224	89	45	305	95	59	95
2	124	293	64	106	187	51	115	183	224	101	45	305	95	59	107





DN10/15 - 50

Ball valve type 230 PVC-U DA (Double acting) With manual override With threaded sockets Rp

Model:

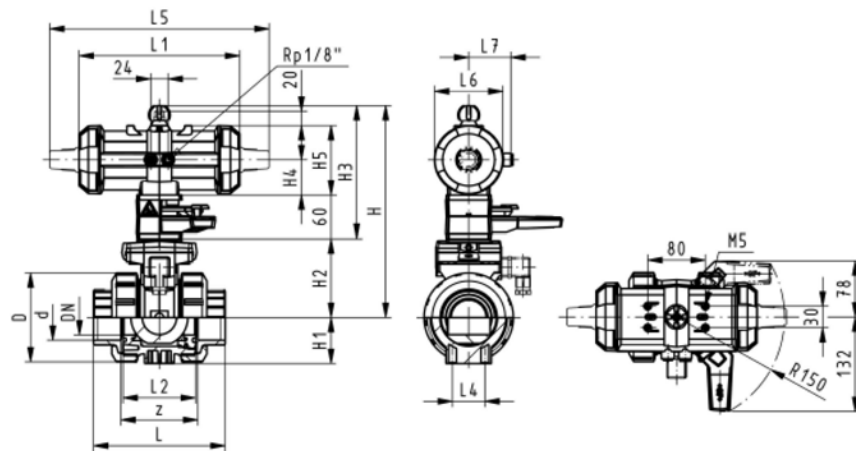
- Built on with pneumatic actuator PA11/21
- For easy installation and removal
- Integrated stainless steel mounting inserts
- Control time 90°<) 1-2 s

Option:

- Individual configuration of the valve (see form)

Rp [inch]	DN [mm]	PN	kv-value ($\Delta p=1$ bar) [l/min]	EPDM Code	FPM Code	kg
3/8	10	10	70	199 230 642	199 230 652	1.500
1/2	15	10	185	199 230 643	199 230 653	1.500
3/4	20	10	350	199 230 644	199 230 654	1.600
1	25	10	700	199 230 645	199 230 655	1.700
1 1/4	32	10	1000	199 230 646	199 230 656	2.800
1 1/2	40	10	1600	199 230 647	199 230 657	3.100
2	50	10	3100	199 230 648	199 230 658	4.000

Rp [inch]	D [mm]	H [mm]	H1 [mm]	H2 [mm]	H3 [mm]	H4 [mm]	H5 [mm]	L [mm]	L1 [mm]	L2 [mm]	L4 [mm]	L5 [mm]	L6 [mm]	L7 [mm]	z [mm]
3/8	50	230	27	62	168	40	97	92	194	56	25	261	76	48	64
1/2	50	230	27	62	168	40	97	95	194	56	25	261	76	48	64
3/4	58	239	30	71	168	40	97	110	194	65	25	261	76	48	72
1	68	239	36	71	168	40	97	123	194	71	25	261	76	48	79
1 1/4	84	271	44	84	187	51	115	146	224	85	45	305	95	59	94
1 1/2	97	271	51	84	187	51	115	157	224	89	45	305	95	59	95
2	124	293	64	106	187	51	115	183	224	101	45	305	95	59	107





DN10/15 - 50

Ball valve type 230 PVC-U FC (Fail safe to close) With manual override With fixed flanges serrated metric

Model:

- Built on with pneumatic actuator PA11/21
- For easy installation and removal
- Integrated stainless steel mounting inserts
- Control time $90^\circ <$ 1-2 s
- Overall length according to EN 558-1
- Connecting dimensions: ISO 7005 / EN 1092 / DIN 2501 PN10 / BS4504

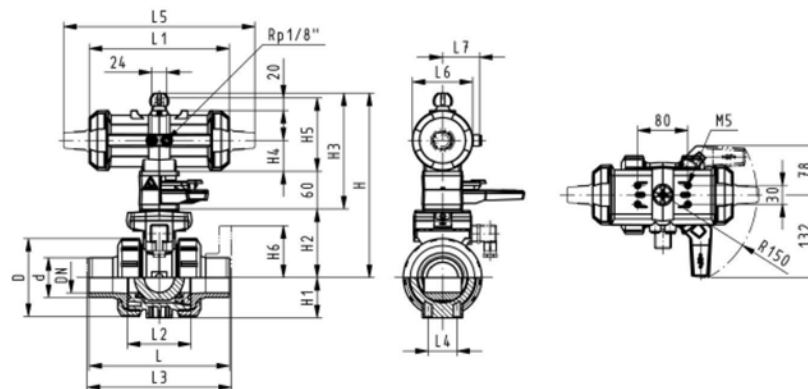
Option:

- Individual configuration of the valve (see form)

d [mm]	DN [mm]	Inch	PN	kv-value ($\Delta p=1$ bar) [l/min]	EPDM Code	FPM Code	kg
20	15	1/2	10	185	199 230 243	199 230 253	1.700
25	20	3/4	10	350	199 230 244	199 230 254	1.900
32	25	1	10	700	199 230 245	199 230 255	2.100
40	32	1 1/4	10	1000	199 230 246	199 230 256	3.400
50	40	1 1/2	10	1600	199 230 247	199 230 257	3.800
63	50	2	10	3100	199 230 248	199 230 258	4.900

d [mm]	D [mm]	H [mm]	H1 [mm]	H2 [mm]	H3 [mm]	H4 [mm]	H5 [mm]	H6 [mm]	L [mm]	L1 [mm]	L2 [mm]	L3 [mm]	L4 [mm]	L5 [mm]	L6 [mm]
20	50	230	27	62	168	40	97	48	124	194	56	130	25	261	76
25	58	239	30	71	168	40	97	53	144	194	65	150	25	261	76
32	68	239	36	71	168	40	97	58	154	194	71	160	25	261	76
40	84	271	44	84	187	51	115	70	174	224	85	180	45	305	95
50	97	271	51	84	187	51	115	75	194	224	89	200	45	305	95
63	124	293	64	106	187	51	115	83	224	224	101	230	45	305	95

d [mm]	L7 [mm]
20	48
25	48
32	48
40	59
50	59
63	59





DN10/15 - 50

Ball valve type 230 PVC-U FO (Fail safe to open) With manual override With fixed flanges serrated metric

Model:

- Built on with pneumatic actuator PA11/21
- For easy installation and removal
- Integrated stainless steel mounting inserts
- Control time 90° < 1-2 s
- Overall length according to EN 558-1
- Connecting dimensions: ISO 7005 / EN 1092 / DIN 2501 PN10 / BS4504

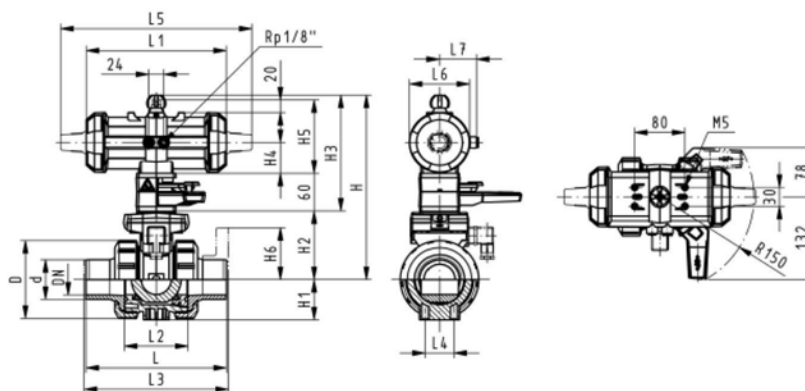
Option:

- Individual configuration of the valve (see form)

d [mm]	DN [mm]	Inch	PN	kv-value ($\Delta p=1$ bar) [l/min]	EPDM Code	FPM Code	kg
20	15	1/2	10	185	199 230 263	199 230 273	1.700
25	20	3/4	10	350	199 230 264	199 230 274	1.900
32	25	1	10	700	199 230 265	199 230 275	2.100
40	32	1 1/4	10	1000	199 230 266	199 230 276	3.400
50	40	1 1/2	10	1600	199 230 267	199 230 277	3.800
63	50	2	10	3100	199 230 268	199 230 278	4.900

d [mm]	D [mm]	H [mm]	H1 [mm]	H2 [mm]	H3 [mm]	H4 [mm]	H5 [mm]	H6 [mm]	L [mm]	L1 [mm]	L2 [mm]	L3 [mm]	L4 [mm]	L5 [mm]	L6 [mm]
20	50	230	27	62	168	40	97	48	124	194	56	130	25	261	76
25	58	239	30	71	168	40	97	53	144	194	65	150	25	261	76
32	68	239	36	71	168	40	97	58	154	194	71	160	25	261	76
40	84	271	44	84	187	51	115	70	174	224	85	180	45	305	95
50	97	271	51	84	187	51	115	75	194	224	89	200	45	305	95
63	124	293	64	106	187	51	115	83	224	224	101	230	45	305	95

d [mm]	L7 [mm]
20	48
25	48
32	48
40	59
50	59
63	59





DN10/15 - 50

Ball valve type 230 PVC-U DA (Double acting) With manual override With fixed flanges serrated metric

Model:

- Built on with pneumatic actuator PA11/21
- For easy installation and removal
- Integrated stainless steel mounting inserts
- Control time $90^\circ <$ 1-2 s
- Overall length according to EN 558-1
- Connecting dimensions: ISO 7005 / EN 1092 / DIN 2501 PN10 / BS4504

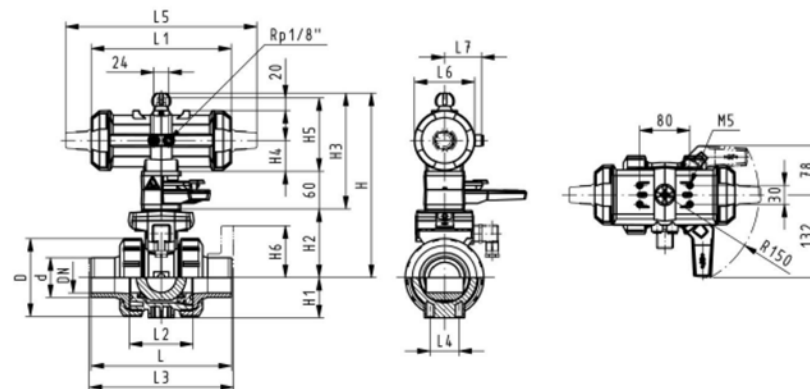
Option:

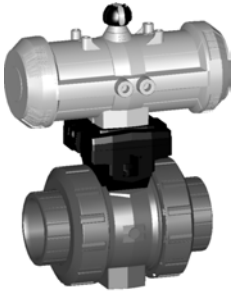
- Individual configuration of the valve (see form)

d [mm]	DN [mm]	Inch	PN	kv-value ($\Delta p=1$ bar) [l/min]	EPDM Code	FPM Code	kg
20	15	1/2	10	185	199 230 283	199 230 293	1.700
25	20	3/4	10	350	199 230 284	199 230 294	1.900
32	25	1	10	700	199 230 285	199 230 295	2.100
40	32	1 1/4	10	1000	199 230 286	199 230 296	3.400
50	40	1 1/2	10	1600	199 230 287	199 230 297	3.800
63	50	2	10	3100	199 230 288	199 230 298	4.900

d [mm]	D [mm]	H [mm]	H1 [mm]	H2 [mm]	H3 [mm]	H4 [mm]	H5 [mm]	H6 [mm]	L [mm]	L1 [mm]	L2 [mm]	L3 [mm]	L4 [mm]	L5 [mm]	L6 [mm]
20	50	230	27	62	168	40	97	48	124	194	56	130	25	261	76
25	58	239	30	71	168	40	97	53	144	194	65	150	25	261	76
32	68	239	36	71	168	40	97	58	154	194	71	160	25	261	76
40	84	271	44	84	187	51	115	70	174	224	85	180	45	305	95
50	97	271	51	84	187	51	115	75	194	224	89	200	45	305	95
63	124	293	64	106	187	51	115	83	224	224	101	230	45	305	95

d [mm]	L7 [mm]
20	48
25	48
32	48
40	59
50	59
63	59





DN10/15 - 50

Ball valve type 230 PVC-U FC (Fail safe to close) Without manual override With solvent cement sockets metric

Model:

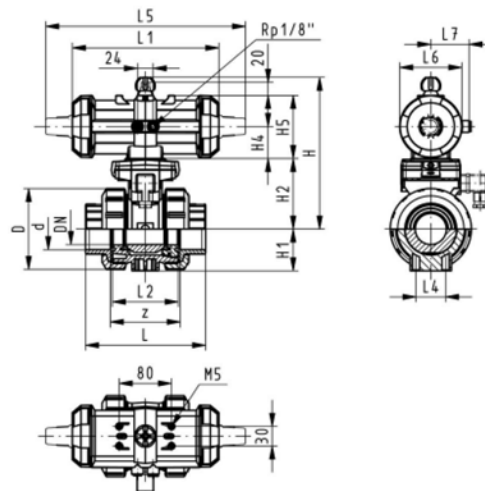
- Assignment of actuators PA11 (DN10/15-25), PA21 (DN32-50), PA30 (DN65), PA35 (DN80), PA40 (DN100)
- Image and drawing DN65-100 please see **New product ball valve DN65-100**
- For easy installation and removal
- Integrated stainless steel mounting inserts
- Control time $90^\circ <$ 1-2 s

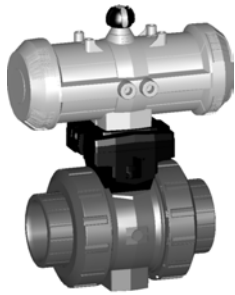
Option:

- Individual configuration of the valve (see form)

d [mm]	DN [mm]	PN	kv-value ($\Delta p=1$ bar) [l/min]	EPDM Code	FPM Code	kg
16	10	10	70	199 230 122	199 230 132	1.159
20	15	10	185	199 230 123	199 230 133	1.159
25	20	10	350	199 230 124	199 230 134	1.276
32	25	10	700	199 230 125	199 230 135	1.400
40	32	10	1000	199 230 126	199 230 136	2.451
50	40	10	1600	199 230 127	199 230 137	2.773
63	50	10	3100	199 230 128	199 230 138	3.631
75	65	10	5000	199 230 129	199 230 139	4.300
90	80	10	7000	199 230 130	199 230 140	5.200
110	100	10	11000	199 230 131	199 230 141	7.700

d [mm]	D [mm]	H [mm]	H1 [mm]	H2 [mm]	H4 [mm]	H5 [mm]	L [mm]	L1 [mm]	L2 [mm]	L4 [mm]	L5 [mm]	L6 [mm]	L7 [mm]	z [mm]
16	50	167	27	62	40	97	92	194	56	25	261	76	48	64
20	50	167	27	62	40	97	95	194	56	25	261	76	48	64
25	58	176	30	71	40	97	110	194	65	25	261	76	48	72
32	68	176	36	71	40	97	123	194	71	25	261	76	48	79
40	84	210	44	84	51	115	146	224	85	45	305	95	59	94
50	97	210	51	84	51	115	157	224	89	45	305	95	59	95
63	124	232	64	106	51	115	183	224	101	45	305	95	59	107
75	166	262	85	156		70	233	218	136	70	276	65		144
90	200	281	105	168		78	254	259	141	70	341	72		151
110	238	292	123	175		86	301	287	164	120	369	80		174





DN10/15 - 50

Ball valve type 230 PVC-U FO (Fail safe to open) Without manual override With solvent cement sockets metric

Model:

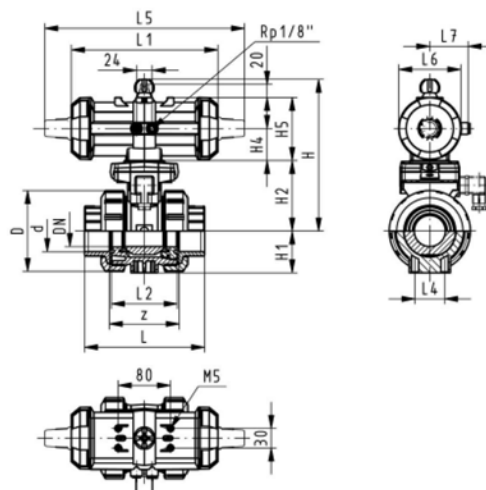
- Assignment of actuators PA11 (DN10/15-25), PA21 (DN32-50), PA30 (DN65), PA35 (DN80), PA40 (DN100)
- Image and drawing DN65-100 please see **New product ball valve DN65-100**
- For easy installation and removal
- Integrated stainless steel mounting inserts
- Control time $90^\circ <$ 1-2 s

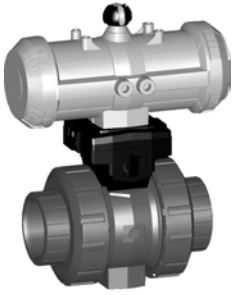
Option:

- Individual configuration of the valve (see form)

d [mm]	DN [mm]	PN	kv-value ($\Delta p=1$ bar) [l/min]	EPDM Code	FPM Code	kg
16	10	10	70	199 230 162	199 230 172	1.159
20	15	10	185	199 230 163	199 230 173	1.159
25	20	10	350	199 230 164	199 230 174	1.276
32	25	10	700	199 230 165	199 230 175	1.400
40	32	10	1000	199 230 166	199 230 176	2.451
50	40	10	1600	199 230 167	199 230 177	2.773
63	50	10	3100	199 230 168	199 230 178	3.631
75	65	10	5000	199 230 169	199 230 179	4.300
90	80	10	7000	199 230 170	199 230 180	5.200
110	100	10	11000	199 230 171	199 230 181	7.700

d [mm]	D [mm]	H [mm]	H1 [mm]	H2 [mm]	H4 [mm]	H5 [mm]	L [mm]	L1 [mm]	L2 [mm]	L4 [mm]	L5 [mm]	L6 [mm]	L7 [mm]	z [mm]
16	50	167	27	62	40	97	92	194	56	25	261	76	48	64
20	50	167	27	62	40	97	95	194	56	25	261	76	48	64
25	58	176	30	71	40	97	110	194	65	25	261	76	48	72
32	68	176	36	71	40	97	123	194	71	25	261	76	48	79
40	84	210	44	84	51	115	146	224	85	45	305	95	59	94
50	97	210	51	84	51	115	157	224	89	45	305	95	59	95
63	124	232	64	106	51	115	183	224	101	45	305	95	59	107
75	166	262	85	156		70	233	218	136	70	276	65		144
90	200	281	105	168		78	254	259	141	70	341	72		151
110	238	292	123	175		86	301	287	164	120	369	80		174





DN10/15 - 50

Ball valve type 230 PVC-U DA (Double acting) Without manual override With solvent cement sockets metric

Model:

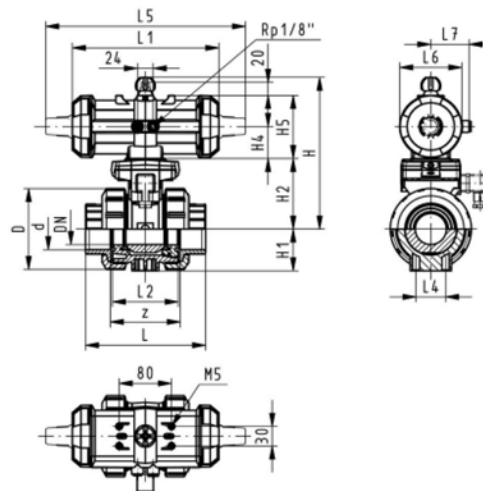
- Assignment of actuators: PA11 (DN10/15-25), PA21 (DN32-50), PA35 (DN65), PA40 (DN80), PA45 (DN100)
- Image and drawing DN65-100 please see **New product ball valve DN65-100**
- For easy installation and removal
- Integrated stainless steel mounting inserts
- Control time 90° < 1-2 s

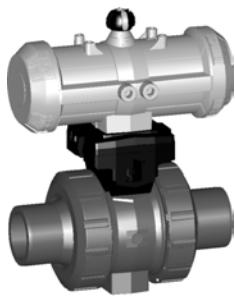
Option:

- Individual configuration of the valve (see form)

d [mm]	DN [mm]	PN	kv-value ($\Delta p=1$ bar) [l/min]	EPDM Code	FPM Code	kg
16	10	10	70	199 230 202	199 230 212	1.159
20	15	10	185	199 230 203	199 230 213	1.159
25	20	10	350	199 230 204	199 230 214	1.276
32	25	10	700	199 230 205	199 230 215	1.400
40	32	10	1000	199 230 206	199 230 216	2.451
50	40	10	1600	199 230 207	199 230 217	2.773
63	50	10	3100	199 230 208	199 230 218	3.631
75	65	10	5000	199 230 209	199 230 219	3.100
90	80	10	7000	199 230 210	199 230 220	4.500
110	100	10	11000	199 230 211	199 230 221	5.900

d [mm]	D [mm]	H [mm]	H1 [mm]	H2 [mm]	H4 [mm]	H5 [mm]	L [mm]	L1 [mm]	L2 [mm]	L4 [mm]	L5 [mm]	L6 [mm]	L7 [mm]	z [mm]
16	50	167	27	62	40	97	92	194	56	25	261	76	48	64
20	50	167	27	62	40	97	95	194	56	25	261	76	48	64
25	58	176	30	71	40	97	110	194	65	25	261	76	48	72
32	68	176	36	71	40	97	123	194	71	25	261	76	48	79
40	84	210	44	84	51	115	146	224	85	45	305	95	59	94
50	97	210	51	84	51	115	157	224	89	45	305	95	59	95
63	124	232	64	106	51	115	183	224	101	45	305	95	59	107
75	166	257	85	156		66	233	144	136	70	190	60		144
90	200	274	105	168		70	254	152	141	70	198	65		151
110	238	273	123	175		78	301	169	164	120	235	72		174





DN10/15 - 50




Ball valve type 230 PVC-U FC (Fail safe to close) Without manual override With solvent cement spigots metric




Model:

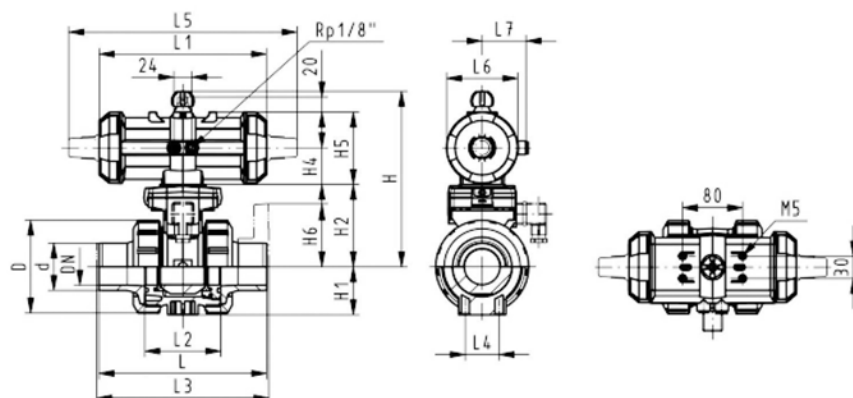
- Assignment of actuators PA11 (DN10/15-25), PA21 (DN32-50), PA30 (DN65), PA35 (DN80), PA40 (DN100)
- Image and drawing DN65-100 please see **New product ball valve DN65-100**
- For easy installation and removal
- Integrated stainless steel mounting inserts
- Control time $90^\circ <$) 1-2 s

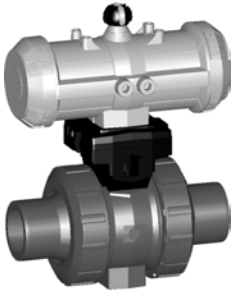
Option:

- Individual configuration of the valve (see form)

d [mm]	DN [mm]	PN	kv-value ($\Delta p=1$ bar) [l/min]	EPDM Code	FPM Code	kg
16	10	10	70	199 230 142	199 230 152	1.159
20	15	10	185	199 230 143	199 230 153	1.159
25	20	10	350	199 230 144	199 230 154	1.276
32	25	10	700	199 230 145	199 230 155	1.400
40	32	10	1000	199 230 146	199 230 156	2.451
50	40	10	1600	199 230 147	199 230 157	2.773
63	50	10	3100	199 230 148	199 230 158	3.631
 75	65	10	5000	199 230 149	199 230 159	4.400
 90	80	10	7000	199 230 150	199 230 160	5.400
 110	100	10	11000	199 230 151	199 230 161	7.900

d [mm]	D [mm]	H [mm]	H1 [mm]	H2 [mm]	H4 [mm]	H5 [mm]	L [mm]	L1 [mm]	L2 [mm]	L3 [mm]	L4 [mm]	L5 [mm]	L6 [mm]	L7 [mm]
16	50	167	27	62	40	97	114	194	56	0	25	261	76	48
20	50	167	27	62	40	97	124	194	56	130	25	261	76	48
25	58	176	30	71	40	97	144	194	65	150	25	261	76	48
32	68	176	36	71	40	97	154	194	71	160	25	261	76	48
40	84	210	44	84	51	115	174	224	85	180	45	305	95	59
50	97	210	51	84	51	115	194	224	89	200	45	305	95	59
63	124	232	64	106	51	115	224	224	101	230	45	305	95	59
 75	166	262	85	156		70	284	218	136	290	70	276	65	
 90	200	281	105	168		78	300	259	141	310	70	341	72	
 110	238	292	123	175		86	340	287	164	350	120	369	80	





DN10/15 - 50

Ball valve type 230 PVC-U FO (Fail safe to open) Without manual override With solvent cement spigots metric

Model:

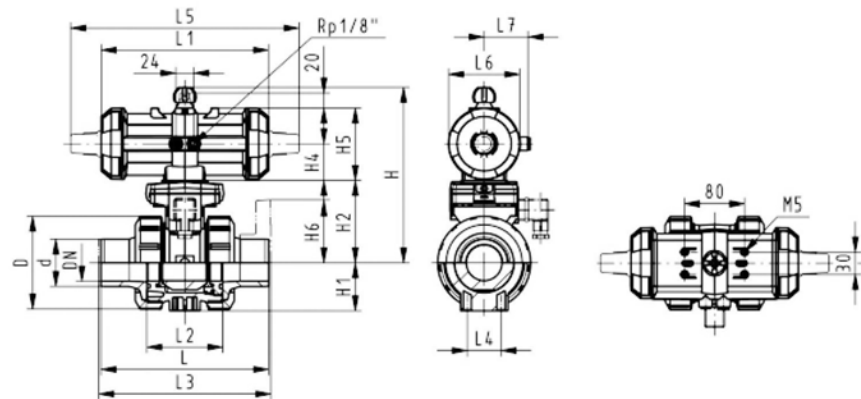
- Assignment of actuators PA11 (DN10/15-25), PA21 (DN32-50), PA30 (DN65), PA35 (DN80), PA40 (DN100)
- Image and drawing DN65-100 please see **New product ball valve DN65-100**
- For easy installation and removal
- Integrated stainless steel mounting inserts
- Control time $90^\circ < 1-2$ s

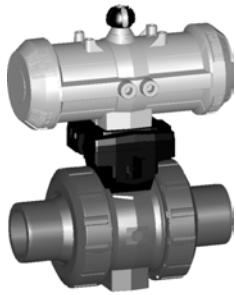
Option:

- Individual configuration of the valve (see form)

d [mm]	DN [mm]	PN	kv-value ($\Delta p=1$ bar) [l/min]	EPDM Code	FPM Code	kg
16	10	10	70	199 230 182	199 230 192	1.159
20	15	10	185	199 230 183	199 230 193	1.159
25	20	10	350	199 230 184	199 230 194	1.276
32	25	10	700	199 230 185	199 230 195	1.400
40	32	10	1000	199 230 186	199 230 196	2.451
50	40	10	1600	199 230 187	199 230 197	2.773
63	50	10	3100	199 230 188	199 230 198	3.631
75	65	10	5000	199 230 189	199 230 199	4.400
90	80	10	7000	199 230 190	199 230 200	5.400
110	100	10	11000	199 230 191	199 230 201	7.900

d [mm]	D [mm]	H [mm]	H1 [mm]	H2 [mm]	H4 [mm]	H5 [mm]	L [mm]	L1 [mm]	L2 [mm]	L3 [mm]	L4 [mm]	L5 [mm]	L6 [mm]	L7 [mm]
16	50	167	27	62	40	97	114	194	56	0	25	261	76	48
20	50	167	27	62	40	97	124	194	56	130	25	261	76	48
25	58	176	30	71	40	97	144	194	65	150	25	261	76	48
32	68	176	36	71	40	97	154	194	71	160	25	261	76	48
40	84	210	44	84	51	115	174	224	85	180	45	305	95	59
50	97	210	51	84	51	115	194	224	89	200	45	305	95	59
63	124	232	64	106	51	115	224	224	101	230	45	305	95	59
75	166	262	85	156		70	284	218	136	290	70	276	65	
90	200	281	105	168		78	300	259	141	310	70	341	72	
110	238	292	123	175		86	340	287	164	350	120	369	80	





DN10/15 - 50

Ball valve type 230 PVC-U DA (Double acting) Without manual override With solvent cement spigots metric

Model:

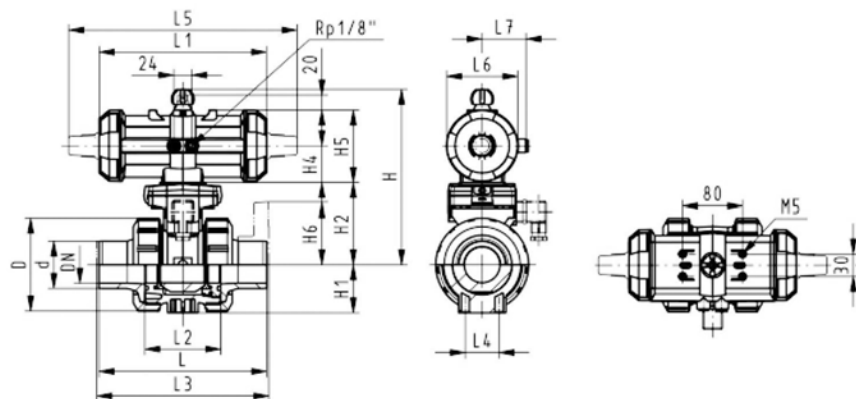
- Assignment of actuators: PA11 (DN10/15-25), PA21 (DN32-50), PA35 (DN65), PA40 (DN80), PA45 (DN100)
- Image and drawing DN65-100 please see **New product ball valve DN65-100**
- For easy installation and removal
- Integrated stainless steel mounting inserts
- Control time $90^\circ <$) 1-2 s

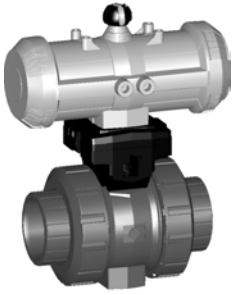
Option:

- Individual configuration of the valve (see form)

d [mm]	DN [mm]	PN	kv-value ($\Delta p=1$ bar) [l/min]	EPDM Code	FPM Code	kg
16	10	10	70	199 230 222	199 230 232	1.159
20	15	10	185	199 230 223	199 230 233	1.159
25	20	10	350	199 230 224	199 230 234	1.276
32	25	10	700	199 230 225	199 230 235	1.400
40	32	10	1000	199 230 226	199 230 236	2.451
50	40	10	1600	199 230 227	199 230 237	2.773
63	50	10	3100	199 230 228	199 230 238	3.631
75	65	10	5000	199 230 229	199 230 239	3.300
90	80	10	7000	199 230 230	199 230 240	4.700
110	100	10	11000	199 230 231	199 230 241	6.200

d [mm]	D [mm]	H [mm]	H1 [mm]	H2 [mm]	H4 [mm]	H5 [mm]	L [mm]	L1 [mm]	L2 [mm]	L3 [mm]	L4 [mm]	L5 [mm]	L6 [mm]	L7 [mm]
16	50	167	27	62	40	97	114	194	56	0	25	261	76	48
20	50	167	27	62	40	97	124	194	56	130	25	261	76	48
25	58	176	30	71	40	97	144	194	65	150	25	261	76	48
32	68	176	36	71	40	97	154	194	71	160	25	261	76	48
40	84	210	44	84	51	115	174	224	85	180	45	305	95	59
50	97	210	51	84	51	115	194	224	89	200	45	305	95	59
63	124	232	64	106	51	115	224	224	101	230	45	305	95	59
75	166	257	85	156		66	284	144	136	290	70	190	60	
90	200	274	105	168		70	300	152	141	310	70	198	65	
110	238	273	123	175		78	340	169	164	350	120	235	72	





DN10/15 - 50

Ball valve type 230 PVC-U FC (Fail safe to close) Without manual override With threaded sockets Rp

Model:

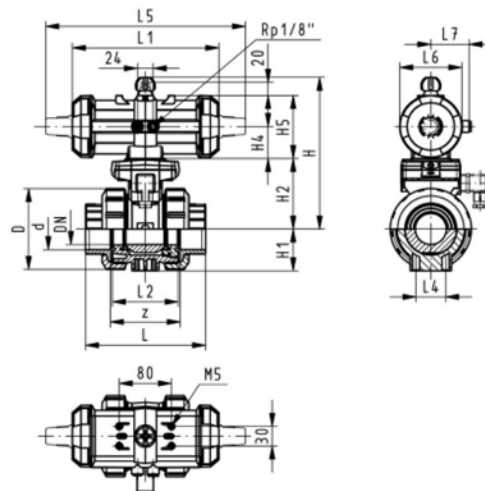
- Assignment of actuators PA11 (DN10/15-25), PA21 (DN32-50), PA30 (DN65), PA35 (DN80), PA40 (DN100)
- Image and drawing DN65-100 please see **New product ball valve DN65-100**
- For easy installation and removal
- Integrated stainless steel mounting inserts
- Control time $90^\circ < 1-2$ s

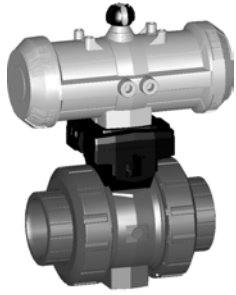
Option:

- Individual configuration of the valve (see form)

Rp [inch]	DN [mm]	PN	kv-value ($\Delta p=1$ bar) [l/min]	EPDM Code	FPM Code	kg
3/8	10	10	70	199 230 662	199 230 672	1.200
1/2	15	10	185	199 230 663	199 230 673	1.200
3/4	20	10	350	199 230 664	199 230 674	1.300
1	25	10	700	199 230 665	199 230 675	1.400
1 1/4	32	10	1000	199 230 666	199 230 676	2.500
1 1/2	40	10	1600	199 230 667	199 230 677	2.800
2	50	10	3100	199 230 668	199 230 678	3.700
2 1/2	65	10	5000	199 230 669	199 230 679	4.300
3	80	10	7000	199 230 670	199 230 680	5.300
4	100	10	11000	199 230 671	199 230 681	7.700

Rp [inch]	D [mm]	H [mm]	H1 [mm]	H2 [mm]	H4 [mm]	H5 [mm]	L [mm]	L1 [mm]	L2 [mm]	L4 [mm]	L5 [mm]	L6 [mm]	L7 [mm]	z [mm]
3/8	50	167	27	62	40	97	92	194	56	25	261	76	48	64
1/2	50	167	27	62	40	97	95	194	56	25	261	76	48	64
3/4	58	176	30	71	40	97	110	194	65	25	261	76	48	72
1	68	176	36	71	40	97	123	194	71	25	261	76	48	79
1 1/4	84	210	44	84	51	115	146	224	85	45	305	95	59	94
1 1/2	97	210	51	84	51	115	157	224	89	45	305	95	59	95
2	124	232	64	106	51	115	183	224	101	45	305	95	59	107
2 1/2	166	262	85	156		70	233	218	136	70	276	65		144
3	200	281	105	168		78	254	259	141	70	341	72		151
4	238	292	123	175		86	301	287	164	120	369	80		174





DN10/15 - 50

Ball valve type 230 PVC-U FO (Fail safe to open) Without manual override With threaded sockets Rp

Model:

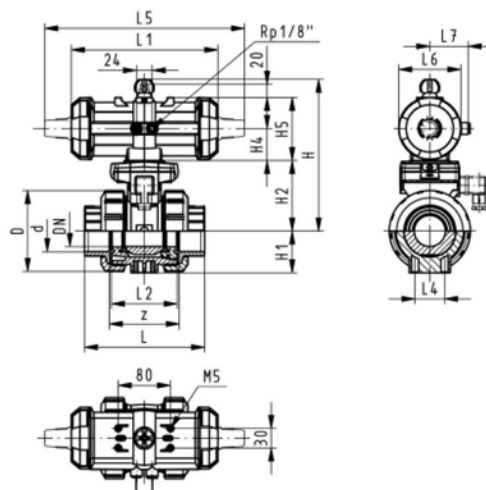
- Assignment of actuators PA11 (DN10/15-25), PA21 (DN32-50), PA30 (DN65), PA35 (DN80), PA40 (DN100)
- Image and drawing DN65-100 please see **New product ball valve DN65-100**
- For easy installation and removal
- Integrated stainless steel mounting inserts
- Control time $90^\circ <$ 1-2 s

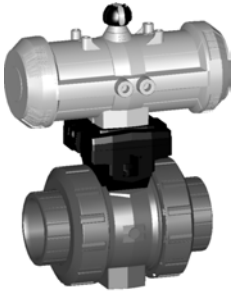
Option:

- Individual configuration of the valve (see form)

Rp [inch]	DN [mm]	PN	kv-value ($\Delta p=1$ bar) [l/min]	EPDM Code	FPM Code	kg
3/8	10	10	70	199 230 682	199 230 692	1.200
1/2	15	10	185	199 230 683	199 230 693	1.200
3/4	20	10	350	199 230 684	199 230 694	1.300
1	25	10	700	199 230 685	199 230 695	1.400
1 1/4	32	10	1000	199 230 686	199 230 696	2.500
1 1/2	40	10	1600	199 230 687	199 230 697	2.800
2	50	10	3100	199 230 688	199 230 698	3.700
2 1/2	65	10	5000	199 230 689	199 230 699	4.300
3	80	10	7000	199 230 690	199 230 700	5.300
4	100	10	11000	199 230 691	199 230 701	7.700

Rp [inch]	D [mm]	H [mm]	H1 [mm]	H2 [mm]	H4 [mm]	H5 [mm]	L [mm]	L1 [mm]	L2 [mm]	L4 [mm]	L5 [mm]	L6 [mm]	L7 [mm]	z [mm]
3/8	50	167	27	62	40	97	92	194	56	25	261	76	48	64
1/2	50	167	27	62	40	97	95	194	56	25	261	76	48	64
3/4	58	176	30	71	40	97	110	194	65	25	261	76	48	72
1	68	176	36	71	40	97	123	194	71	25	261	76	48	79
1 1/4	84	210	44	84	51	115	146	224	85	45	305	95	59	94
1 1/2	97	210	51	84	51	115	157	224	89	45	305	95	59	95
2	124	232	64	106	51	115	183	224	101	45	305	95	59	107
2 1/2	166	262	85	156		70	233	218	136	70	276	65		144
3	200	281	105	168		78	254	259	141	70	341	72		151
4	238	292	123	175		86	301	287	164	120	369	80		174





DN10/15 - 50

Ball valve type 230 PVC-U DA (Double acting) Without manual override With threaded sockets Rp

Model:

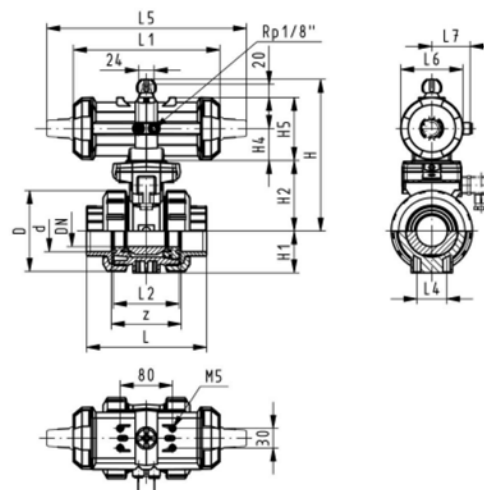
- Assignment of actuators: PA11 (DN10/15-25), PA21 (DN32-50), PA35 (DN65), PA40 (DN80), PA45 (DN100)
- Image and drawing DN65-100 please see **New product ball valve DN65-100**
- For easy installation and removal
- Integrated stainless steel mounting inserts
- Control time 90° < 1-2 s

Option:

- Individual configuration of the valve (see form)

Rp [inch]	DN [mm]	PN	kv-value ($\Delta p=1$ bar) [l/min]	EPDM Code	FPM Code	kg
3/8	10	10	70	199 230 712	199 230 732	1.200
1/2	15	10	185	199 230 713	199 230 733	1.200
3/4	20	10	350	199 230 714	199 230 734	1.300
1	25	10	700	199 230 715	199 230 735	1.400
1 1/4	32	10	1000	199 230 716	199 230 736	2.500
1 1/2	40	10	1600	199 230 717	199 230 737	2.800
2	50	10	3100	199 230 718	199 230 738	3.700
2 1/2	65	10	5000	199 230 719	199 230 739	3.200
3	80	10	7000	199 230 720	199 230 740	4.700
4	100	10	11000	199 230 721	199 230 741	6.000

Rp [inch]	D [mm]	H [mm]	H1 [mm]	H2 [mm]	H4 [mm]	H5 [mm]	L [mm]	L1 [mm]	L2 [mm]	L4 [mm]	L5 [mm]	L6 [mm]	L7 [mm]	z [mm]
3/8	50	167	27	62	40	97	92	194	56	25	261	76	48	64
1/2	50	167	27	62	40	97	95	194	56	25	261	76	48	64
3/4	58	176	30	71	40	97	110	194	65	25	261	76	48	72
1	68	176	36	71	40	97	123	194	71	25	261	76	48	79
1 1/4	84	210	44	84	51	115	146	224	85	45	305	95	59	94
1 1/2	97	210	51	84	51	115	157	224	89	45	305	95	59	95
2	124	232	64	106	51	115	183	224	101	45	305	95	59	107
2 1/2	166	257	85	156		66	233	144	136	70	190	60		144
3	200	274	105	168		70	254	152	141	70	198	65		151
4	238	273	123	175		78	301	169	164	120	235	72		174





DN10/15 - 50

Ball valve type 230 PVC-U FC (Fail safe to close) Without manual override With fixed flanges serrated metric

Model:

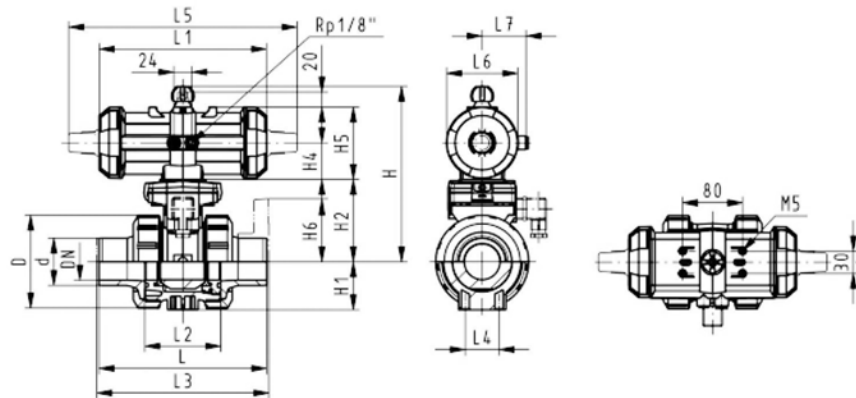
- Assignment of actuators PA11 (DN10/15-25), PA21 (DN32-50), PA30 (DN65), PA35 (DN80), PA40 (DN100)
- Image and drawing DN65-100 please see **New product ball valve DN65-100**
- For easy installation and removal
- Integrated stainless steel mounting inserts
- Control time $90^\circ <$) 1-2 s
- Overall length according to EN 558-1
- Connecting dimensions: ISO 7005 / EN 1092 / DIN 2501 PN10 / BS4504

Option:

- Individual configuration of the valve (see form)

d [mm]	DN [mm]	Inch	PN	kv-value ($\Delta p=1$ bar) [l/min]	EPDM Code	FPM Code	kg
20	15	1/2	10	185	199 230 303	199 230 313	1.700
25	20	3/4	10	350	199 230 304	199 230 314	1.900
32	25	1	10	700	199 230 305	199 230 315	2.100
40	32	1 1/4	10	1000	199 230 306	199 230 316	3.400
50	40	1 1/2	10	1600	199 230 307	199 230 317	3.800
63	50	2	10	3100	199 230 308	199 230 318	4.900

d [mm]	D [mm]	H [mm]	H1 [mm]	H2 [mm]	H4 [mm]	H5 [mm]	H6 [mm]	L [mm]	L1 [mm]	L2 [mm]	L3 [mm]	L4 [mm]	L5 [mm]	L6 [mm]	L7 [mm]
20	50	167	27	62	40	97	48	124	194	56	130	25	261	76	48
25	58	176	30	71	40	97	53	144	194	65	150	25	261	76	48
32	68	176	36	71	40	97	58	154	194	71	160	25	261	76	48
40	84	210	44	84	51	115	70	174	224	85	180	45	305	95	59
50	97	210	51	84	51	115	75	194	224	89	200	45	305	95	59
63	124	232	64	106	51	115	83	224	224	101	230	45	305	95	59





Ball valve type 230 PVC-U FO (Fail safe to open) Without manual override With fixed flanges serrated metric

Model:

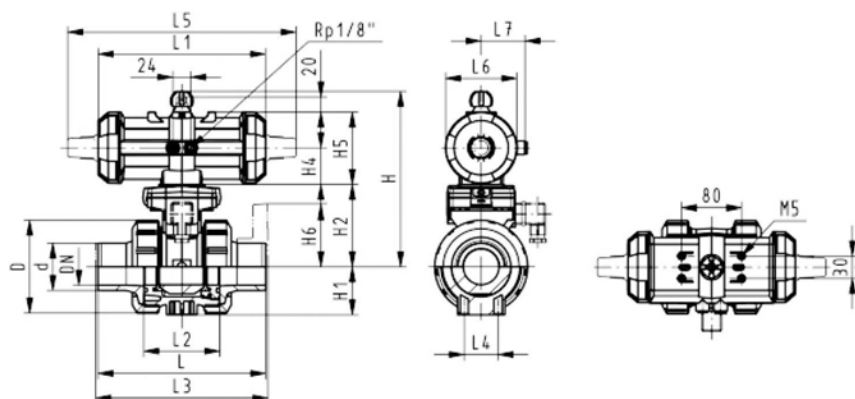
- Assignment of actuators PA11 (DN10/15-25), PA21 (DN32-50), PA30 (DN65), PA35 (DN80), PA40 (DN100)
- Image and drawing DN65-100 please see **New product ball valve DN65-100**
- For easy installation and removal
- Integrated stainless steel mounting inserts
- Control time 90°<) 1-2 s
- Overall length according to EN 558-1
- Connecting dimensions: ISO 7005 / EN 1092 / DIN 2501 PN10 / BS4504

Option:

- Individual configuration of the valve (see form)

d [mm]	DN [mm]	Inch	PN	kv-value ($\Delta p=1$ bar) [l/min]	EPDM Code	FPM Code	kg
20	15	½	10	185	199 230 323	199 230 333	1.700
25	20	¾	10	350	199 230 324	199 230 334	1.900
32	25	1	10	700	199 230 325	199 230 335	2.100
40	32	1 ¼	10	1000	199 230 326	199 230 336	3.400
50	40	1 ½	10	1600	199 230 327	199 230 337	3.800
63	50	2	10	3100	199 230 328	199 230 338	4.900

d [mm]	D [mm]	H [mm]	H1 [mm]	H2 [mm]	H4 [mm]	H5 [mm]	H6 [mm]	L [mm]	L1 [mm]	L2 [mm]	L3 [mm]	L4 [mm]	L5 [mm]	L6 [mm]	L7 [mm]
20	50	167	27	62	40	97	48	124	194	56	130	25	261	76	48
25	58	176	30	71	40	97	53	144	194	65	150	25	261	76	48
32	68	176	36	71	40	97	58	154	194	71	160	25	261	76	48
40	84	210	44	84	51	115	70	174	224	85	180	45	305	95	59
50	97	210	51	84	51	115	75	194	224	89	200	45	305	95	59
63	124	232	64	106	51	115	83	224	224	101	230	45	305	95	59





DN10/15 - 50

Ball valve type 230 PVC-U DA (Double acting) Without manual override With fixed flanges metric

Model:

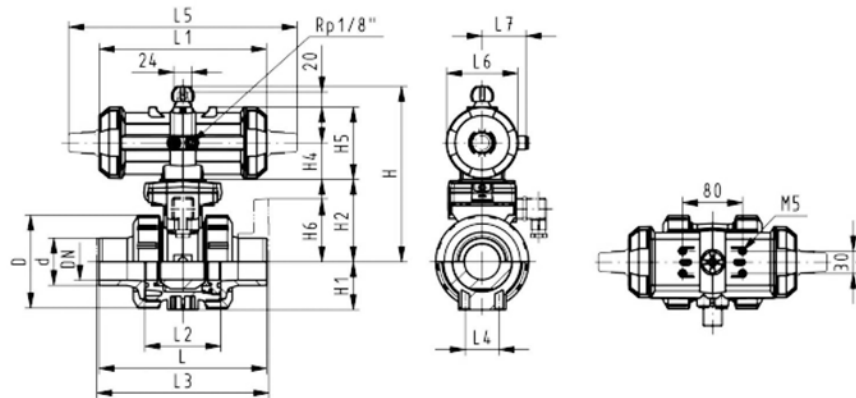
- Assignment of actuators: PA11 (DN10/15-25), PA21 (DN32-50), PA35 (DN65), PA40 (DN80), PA45 (DN100)
- Image and drawing DN65-100 please see **New product ball valve DN65-100**
- For easy installation and removal
- Integrated stainless steel mounting inserts
- Control time $90^\circ <$) 1-2 s
- Overall length according to EN 558-1
- Connecting dimensions: ISO 7005 / EN 1092 / DIN 2501 PN10 / BS4504

Option:

- Individual configuration of the valve (see form)

d [mm]	DN [mm]	Inch	PN	kv-value ($\Delta p=1$ bar) [l/min]	EPDM Code	FPM Code	kg
20	15	1/2	10	185	199 230 343	199 230 353	1.700
25	20	3/4	10	350	199 230 344	199 230 354	1.900
32	25	1	10	700	199 230 345	199 230 355	2.100
40	32	1 1/4	10	1000	199 230 346	199 230 356	3.400
50	40	1 1/2	10	1600	199 230 347	199 230 357	3.800
63	50	2	10	3100	199 230 348	199 230 358	4.900

d [mm]	D [mm]	H [mm]	H1 [mm]	H2 [mm]	H4 [mm]	H5 [mm]	H6 [mm]	L [mm]	L1 [mm]	L2 [mm]	L3 [mm]	L4 [mm]	L5 [mm]	L6 [mm]	L7 [mm]
20	50	167	27	62	40	97	48	124	194	56	130	25	261	76	48
25	58	176	30	71	40	97	53	144	194	65	150	25	261	76	48
32	68	176	36	71	40	97	58	154	194	71	160	25	261	76	48
40	84	210	44	84	51	115	70	174	224	85	180	45	305	95	59
50	97	210	51	84	51	115	75	194	224	89	200	45	305	95	59
63	124	232	64	106	51	115	83	224	224	101	230	45	305	95	59





Ball valve type 230 PVC-U FC (Fail safe to close) Without manual override With backing flanges PP-st metric

Model:

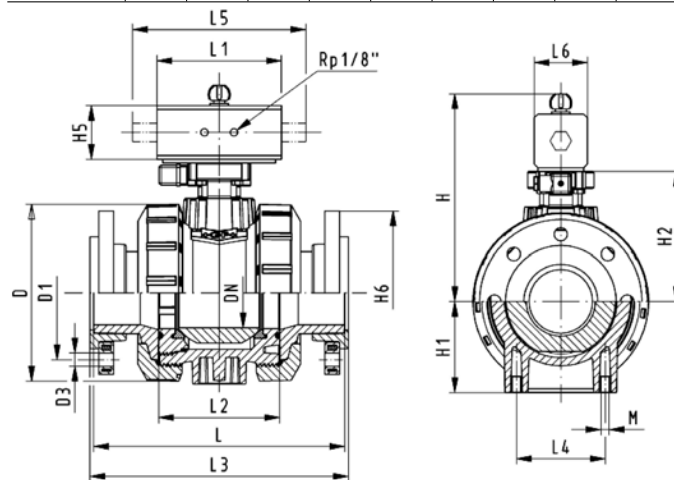
- Assignment of actuators PA11 (DN10/15-25), PA21 (DN32-50), PA30 (DN65), PA35 (DN80), PA40 (DN100)
- Image and drawing DN65-100 please see **New product ball valve DN65-100**
- For easy installation and removal
- Integrated stainless steel mounting inserts
- Control time $90^\circ <$ 1-2 s
- Overall length according to EN 558-1
- Connecting dimensions: ISO 7005, EN 1092, BS 4504, DIN 2501; bolt circle PN 10

Option:

- Individual configuration of the valve (see form)

d [mm]	DN [mm]	PN	kv-value ($\Delta p=1$ bar) [l/min]	EPDM Code	FPM Code	kg
75	65	10	5000	199 234 469	199 234 479	8.500
90	80	10	7000	199 234 470	199 234 480	10.300
110	100	10	11000	199 234 471	199 234 481	14.600

d [mm]	D [mm]	H [mm]	H1 [mm]	H2 [mm]	H5 [mm]	H6 [mm]	L [mm]	L1 [mm]	L2 [mm]	L3 [mm]	L4 [mm]	L5 [mm]	L6 [mm]
75	166	262	85	156	70	93	284	218	136	290	70	276	65
90	200	281	105	168	78	100	300	259	141	310	70	341	72
110	238	292	123	175	86	110	340	287	164	350	120	369	80





Ball valve type 230 PVC-U FO (Fail safe to open) Without manual override With backing flanges PP-st metric

Model:

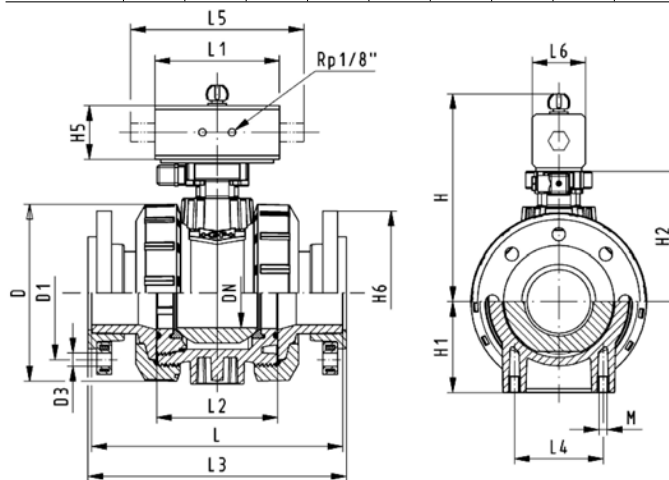
- Assignment of actuators PA11 (DN10/15-25), PA21 (DN32-50), PA30 (DN65), PA35 (DN80), PA40 (DN100)
- Image and drawing DN65-100 please see **New product ball valve DN65-100**
- For easy installation and removal
- Integrated stainless steel mounting inserts
- Control time $90^\circ <$ 1-2 s
- Overall length according to EN 558-1
- Connecting dimensions: ISO 7005, EN 1092, BS 4504, DIN 2501; bolt circle PN 10

Option:

- Individual configuration of the valve (see form)

d [mm]	DN [mm]	PN	kv-value ($\Delta p=1$ bar) [l/min]	EPDM Code	FPM Code	kg	
75	65	10	5000	199 234 489	199 234 499	8.500	
90	80	10	7000	199 234 490	199 234 500	10.300	
110	100	10	11000	199 234 491	199 234 501	14.600	

d [mm]	D [mm]	H [mm]	H1 [mm]	H2 [mm]	H5 [mm]	H6 [mm]	L [mm]	L1 [mm]	L2 [mm]	L3 [mm]	L4 [mm]	L5 [mm]	L6 [mm]	
75	166	262	85	156	70	93	284	218	136	290	70	276	65	
90	200	281	105	168	78	100	300	259	141	310	70	341	72	
110	238	292	123	175	86	110	340	287	164	350	120	369	80	





Ball valve type 230 PVC-U DA (Double acting) Without manual override With backing flanges PP-st metric

Model:

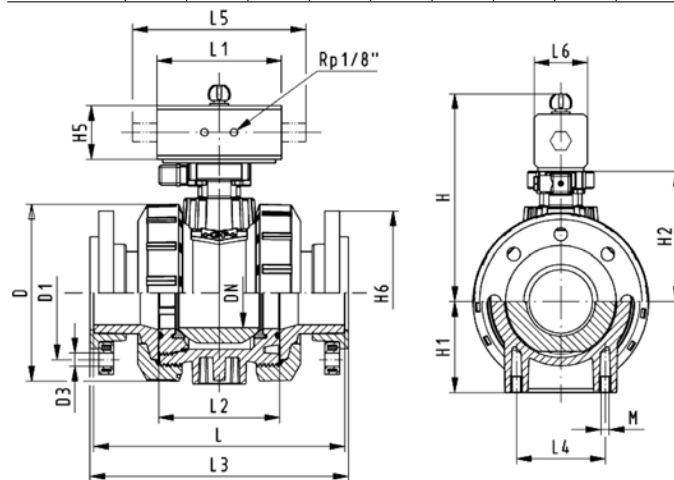
- Assignment of actuators: PA11 (DN10/15-25), PA21 (DN32-50), PA35 (DN65), PA40 (DN80), PA45 (DN100)
- Image and drawing DN65-100 please see **New product ball valve DN65-100**
- For easy installation and removal
- Integrated stainless steel mounting inserts
- Control time $90^\circ <$ 1-2 s
- Overall length according to EN 558-1
- Connecting dimensions: ISO 7005, EN 1092, BS 4504, DIN 2501; bolt circle PN 10

Option:

- Individual configuration of the valve (see form)

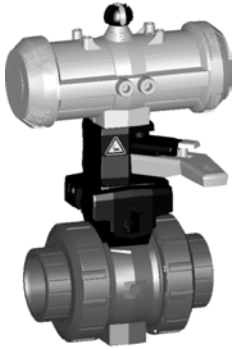
d [mm]	DN [mm]	PN	kv-value ($\Delta p=1$ bar) [l/min]	EPDM Code	FPM Code	kg
75	65	10	5000	199 234 509	199 234 519	7.300
90	80	10	7000	199 234 510	199 234 520	9.600
110	100	10	11000	199 234 511	199 234 521	12.800

d [mm]	D [mm]	H [mm]	H1 [mm]	H2 [mm]	H5 [mm]	H6 [mm]	L [mm]	L1 [mm]	L2 [mm]	L3 [mm]	L4 [mm]	L5 [mm]	L6 [mm]
75	166	257	85	156	66	93	284	144	136	290	70	190	60
90	200	274	105	168	70	100	300	152	141	310	70	198	65
110	238	273	123	175	78	110	340	169	164	350	120	235	72



Ball valves pneumatic

Ball valve type 234 PVC-U FC (Fail safe to close) With manual override With solvent cement sockets Inch BS



DN10/15 - 50

Model:

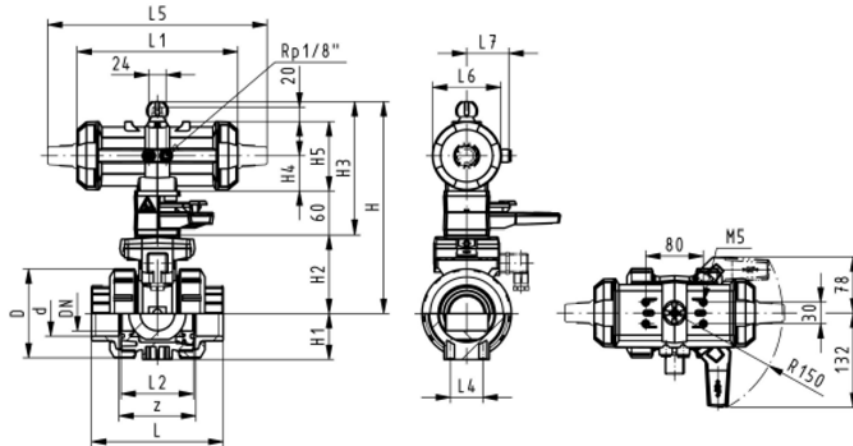
- Built on with pneumatic actuator PA11/21
- Control time 90° < 1-2 s
- For easy installation and removal
- Integrated stainless steel mounting inserts

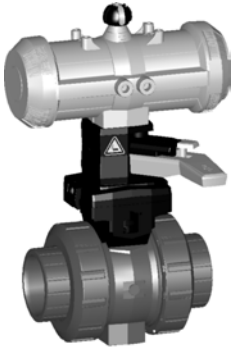
Option:

- Individual configuration of the valve (see form)

Inch	DN [mm]	PN	kv-value ($\Delta p=1$ bar) [l/min]	EPDM Code	FPM Code	kg
3/8	10	10	70	199 234 002	199 234 012	1.500
1/2	15	10	185	199 234 003	199 234 013	1.500
3/4	20	10	350	199 234 004	199 234 014	1.600
1	25	10	700	199 234 005	199 234 015	1.700
1 1/4	32	10	1000	199 234 006	199 234 016	2.800
1 1/2	40	10	1600	199 234 007	199 234 017	3.100
2	50	10	3100	199 234 008	199 234 018	4.000

Inch	D [mm]	H [mm]	H1 [mm]	H2 [mm]	H3 [mm]	H4 [mm]	H5 [mm]	L [mm]	L1 [mm]	L2 [mm]	L4 [mm]	L5 [mm]	L6 [mm]	L7 [mm]	z [mm]
3/8	50	230	27	62	168	40	97	92	194	56	25	261	76	48	60
1/2	50	230	27	62	168	40	97	95	194	56	25	261	76	48	60
3/4	58	239	30	71	168	40	97	110	194	65	25	261	76	48	69
1	68	239	36	71	168	40	97	123	194	71	25	261	76	48	75
1 1/4	84	271	44	84	187	51	115	146	224	85	45	305	95	59	89
1 1/2	97	271	51	84	187	51	115	157	224	89	45	305	95	59	97
2	124	293	64	106	187	51	115	183	224	101	45	305	95	59	110





DN10/15 - 50

Ball valve type 234 PVC-U FO (Fail safe to open) With manual override With solvent cement sockets Inch BS

Model:

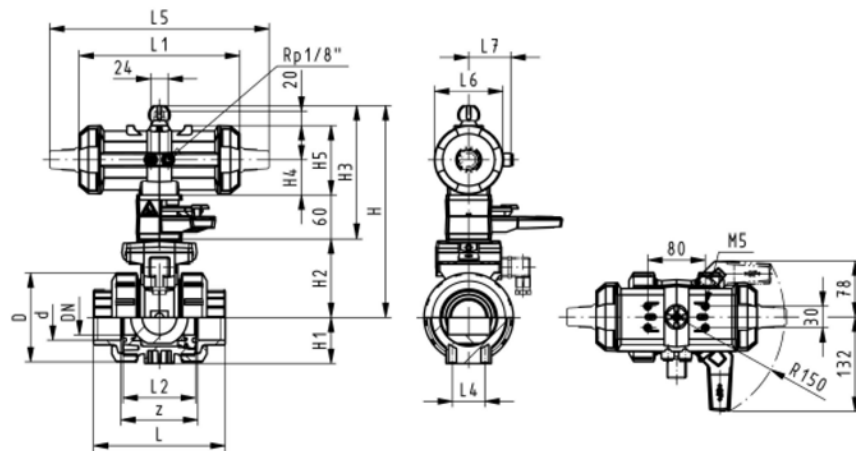
- Built on with pneumatic actuator PA11/21
- Control time 90°<) 1-2 s
- For easy installation and removal
- Integrated stainless steel mounting inserts

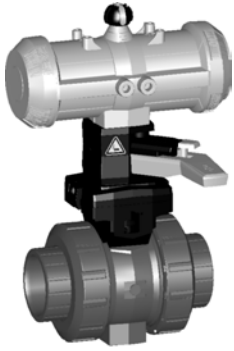
Option:

- Individual configuration of the valve (see form)

Inch	DN [mm]	PN	kv-value ($\Delta p=1$ bar) [l/min]	EPDM Code	FPM Code	kg
3/8	10	10	70	199 234 042	199 234 052	1.500
1/2	15	10	185	199 234 043	199 234 053	1.500
3/4	20	10	350	199 234 044	199 234 054	1.600
1	25	10	700	199 234 045	199 234 055	1.700
1 1/4	32	10	1000	199 234 046	199 234 056	2.800
1 1/2	40	10	1600	199 234 047	199 234 057	3.100
2	50	10	3100	199 234 048	199 234 058	4.000

Inch	D [mm]	H [mm]	H1 [mm]	H2 [mm]	H3 [mm]	H4 [mm]	H5 [mm]	L [mm]	L1 [mm]	L2 [mm]	L4 [mm]	L5 [mm]	L6 [mm]	L7 [mm]	z [mm]
3/8	50	230	27	62	168	40	97	92	194	56	25	261	76	48	60
1/2	50	230	27	62	168	40	97	95	194	56	25	261	76	48	60
3/4	58	239	30	71	168	40	97	110	194	65	25	261	76	48	69
1	68	239	36	71	168	40	97	123	194	71	25	261	76	48	75
1 1/4	84	271	44	84	187	51	115	146	224	85	45	305	95	59	89
1 1/2	97	271	51	84	187	51	115	157	224	89	45	305	95	59	97
2	124	293	64	106	187	51	115	183	224	101	45	305	95	59	110





DN10/15 - 50

Ball valve type 234 PVC-U DA (Double acting) With manual override With solvent cement sockets Inch BS

Model:

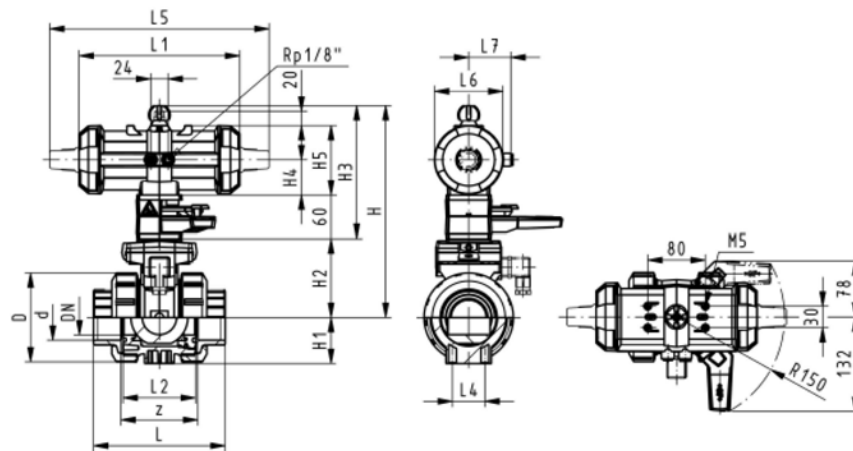
- Built on with pneumatic actuator PA11/21
- Control time $90^\circ <$) 1-2 s
- For easy installation and removal
- Integrated stainless steel mounting inserts

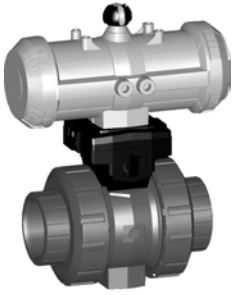
Option:

- Individual configuration of the valve (see form)

Inch	DN [mm]	PN	kv-value ($\Delta p=1$ bar) [l/min]	EPDM Code	FPM Code	kg
$\frac{3}{8}$	10	10	70	199 234 082	199 234 092	1.500
$\frac{1}{2}$	15	10	185	199 234 083	199 234 093	1.500
$\frac{3}{4}$	20	10	350	199 234 084	199 234 094	1.600
1	25	10	700	199 234 085	199 234 095	1.700
1 $\frac{1}{4}$	32	10	1000	199 234 086	199 234 096	2.800
1 $\frac{1}{2}$	40	10	1600	199 234 087	199 234 097	3.100
2	50	10	3100	199 234 088	199 234 098	4.000

Inch	D [mm]	H [mm]	H1 [mm]	H2 [mm]	H3 [mm]	H4 [mm]	H5 [mm]	L [mm]	L1 [mm]	L2 [mm]	L4 [mm]	L5 [mm]	L6 [mm]	L7 [mm]	z [mm]
$\frac{3}{8}$	50	230	27	62	168	40	97	92	194	56	25	261	76	48	60
$\frac{1}{2}$	50	230	27	62	168	40	97	95	194	56	25	261	76	48	60
$\frac{3}{4}$	58	239	30	71	168	40	97	110	194	65	25	261	76	48	69
1	68	239	36	71	168	40	97	123	194	71	25	261	76	48	75
1 $\frac{1}{4}$	84	271	44	84	187	51	115	146	224	85	45	305	95	59	89
1 $\frac{1}{2}$	97	271	51	84	187	51	115	157	224	89	45	305	95	59	97
2	124	293	64	106	187	51	115	183	224	101	45	305	95	59	110





DN10/15 - 50




Ball valve type 234 PVC-U FC (Fail safe to close) Without manual override With solvent cement sockets Inch BS




Model:

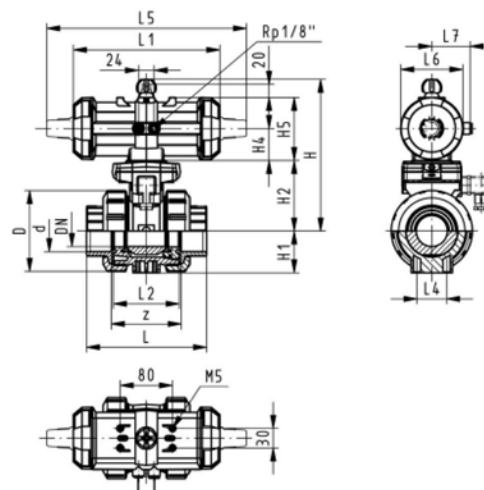
- Assignment of actuators PA11 (DN10/15-25), PA21 (DN32-50), PA30 (DN65), PA35 (DN80), PA40 (DN100)
- Image and drawing DN65-100 please see **New product ball valve DN65-100**
- For easy installation and removal
- Integrated stainless steel mounting inserts
- Control time 90° < 1-2 s

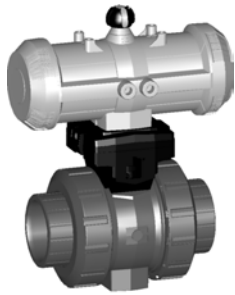
Option:

- Individual configuration of the valve (see form)

Inch	DN [mm]	PN	kv-value ($\Delta p=1$ bar) [l/min]	EPDM Code	FPM Code	kg
3/8	10	10	70	199 234 122	199 234 132	1.500
1/2	15	10	185	199 234 123	199 234 133	1.500
3/4	20	10	350	199 234 124	199 234 134	1.600
1	25	10	700	199 234 125	199 234 135	1.700
1 1/4	32	10	1000	199 234 126	199 234 136	2.800
1 1/2	40	10	1600	199 234 127	199 234 137	3.100
2	50	10	3100	199 234 128	199 234 138	4.000
 2 1/2	65	10	5000	199 234 129	199 234 139	4.300
 3	80	10	7000	199 234 130	199 234 140	5.200
 4	100	10	11000	199 234 131	199 234 141	7.600

Inch	D [mm]	H [mm]	H1 [mm]	H2 [mm]	H4 [mm]	H5 [mm]	L [mm]	L1 [mm]	L2 [mm]	L4 [mm]	L5 [mm]	L6 [mm]	L7 [mm]	z [mm]
3/8	50	167	27	62	40	97	92	194	56	25	261	76	48	60
1/2	50	167	27	62	40	97	95	194	56	25	261	76	48	60
3/4	58	176	30	71	40	97	110	194	65	25	261	76	48	69
1	68	176	36	71	40	97	123	194	71	25	261	76	48	75
1 1/4	84	210	44	84	51	115	146	224	85	45	305	95	59	89
1 1/2	97	210	51	84	51	115	157	224	89	45	305	95	59	97
2	124	232	64	106	51	115	183	224	101	45	305	95	59	110
 2 1/2	166	262	85	156		70	233	218	136	70	276	65		144
 3	200	281	105	168		78	254	259	141	70	341	72		151
 4	238	292	123	175		86	301	287	164	120	369	80		174





DN10/15 - 50

Ball valve type 234 PVC-U FO (Fail safe to open) Without manual override With solvent cement sockets Inch BS

Model:

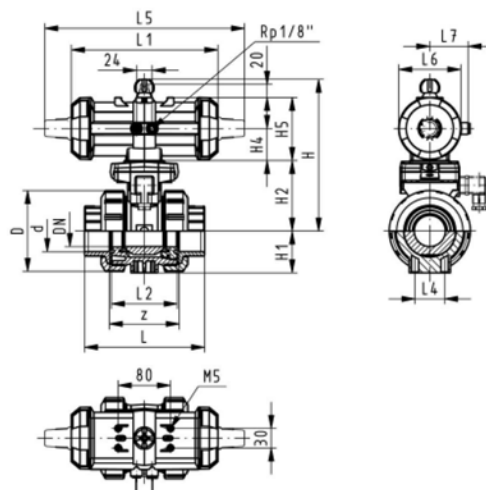
- Assignment of actuators PA11 (DN10/15-25), PA21 (DN32-50), PA30 (DN65), PA35 (DN80), PA40 (DN100)
- Image and drawing DN65-100 please see **New product ball valve DN65-100**
- For easy installation and removal
- Integrated stainless steel mounting inserts
- Control time $90^\circ <$ 1-2 s

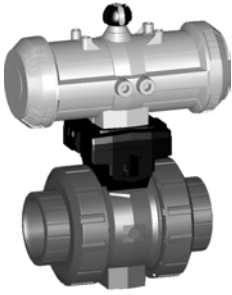
Option:

- Individual configuration of the valve (see form)

Inch	DN [mm]	PN	kv-value ($\Delta p=1$ bar) [l/min]	EPDM Code	FPM Code	kg
3/8	10	10	70	199 234 162	199 234 172	1.500
1/2	15	10	185	199 234 163	199 234 173	1.500
3/4	20	10	350	199 234 164	199 234 174	1.600
1	25	10	700	199 234 165	199 234 175	1.700
1 1/4	32	10	1000	199 234 166	199 234 176	2.800
1 1/2	40	10	1600	199 234 167	199 234 177	3.100
2	50	10	3100	199 234 168	199 234 178	4.000
2 1/2	65	10	5000	199 234 169	199 234 179	4.300
3	80	10	7000	199 234 170	199 234 180	5.200
4	100	10	11000	199 234 171	199 234 181	7.600

Inch	D [mm]	H [mm]	H1 [mm]	H2 [mm]	H4 [mm]	H5 [mm]	L [mm]	L1 [mm]	L2 [mm]	L4 [mm]	L5 [mm]	L6 [mm]	L7 [mm]	z [mm]
3/8	50	167	27	62	40	97	92	194	56	25	261	76	48	60
1/2	50	167	27	62	40	97	95	194	56	25	261	76	48	60
3/4	58	176	30	71	40	97	110	194	65	25	261	76	48	69
1	68	176	36	71	40	97	123	194	71	25	261	76	48	75
1 1/4	84	210	44	84	51	115	146	224	85	45	305	95	59	89
1 1/2	97	210	51	84	51	115	157	224	89	45	305	95	59	97
2	124	232	64	106	51	115	183	224	101	45	305	95	59	110
2 1/2	166	262	85	156		70	233	218	136	70	276	65		144
3	200	281	105	168		78	254	259	141	70	341	72		151
4	238	292	123	175		86	301	287	164	120	369	80		174





DN10/15 - 50

Ball valve type 234 PVC-U DA (Double acting) Without manual override With solvent cement sockets Inch BS

Model:

- Assignment of actuators: PA11 (DN10/15-25), PA21 (DN32-50), PA35 (DN65), PA40 (DN80), PA45 (DN100)
- Image and drawing DN65-100 please see **New product ball valve DN65-100**
- For easy installation and removal
- Integrated stainless steel mounting inserts
- Control time 90° < 1-2 s

Option:

- Individual configuration of the valve (see form)

Inch	DN [mm]	PN	kv-value ($\Delta p=1$ bar) [l/min]	EPDM Code	FPM Code	kg
3/8	10	10	70	199 234 202	199 234 212	1.500
1/2	15	10	185	199 234 203	199 234 213	1.500
3/4	20	10	350	199 234 204	199 234 214	1.600
1	25	10	700	199 234 205	199 234 215	1.700
1 1/4	32	10	1000	199 234 206	199 234 216	2.800
1 1/2	40	10	1600	199 234 207	199 234 217	3.100
2	50	10	3100	199 234 208	199 234 218	4.000
2 1/2	65	10	5000	199 234 209	199 234 219	3.100
3	80	10	7000	199 234 210	199 234 220	4.600
4	100	10	11000	199 234 211	199 234 221	5.800

Inch	D [mm]	H [mm]	H1 [mm]	H2 [mm]	H4 [mm]	H5 [mm]	L [mm]	L1 [mm]	L2 [mm]	L4 [mm]	L5 [mm]	L6 [mm]	L7 [mm]	z [mm]
3/8	50	167	27	62	40	97	92	194	56	25	261	76	48	60
1/2	50	167	27	62	40	97	95	194	56	25	261	76	48	60
3/4	58	176	30	71	40	97	110	194	65	25	261	76	48	69
1	68	176	36	71	40	97	123	194	71	25	261	76	48	75
1 1/4	84	210	44	84	51	115	146	224	85	45	305	95	59	89
1 1/2	97	210	51	84	51	115	157	224	89	45	305	95	59	97
2	124	232	64	106	51	115	183	224	101	45	305	95	59	110
2 1/2	166	257	85	156		66	233	144	136	70	190	60		144
3	200	274	105	168		70	254	152	141	70	198	65		151
4	238	273	123	175		78	301	169	164	120	235	72		174

