

# Ball valves electric

## Ball valve type 107 PP-H 100-230V With manual emergency override With fusion sockets metric



DN10/15 - 50

### Model:

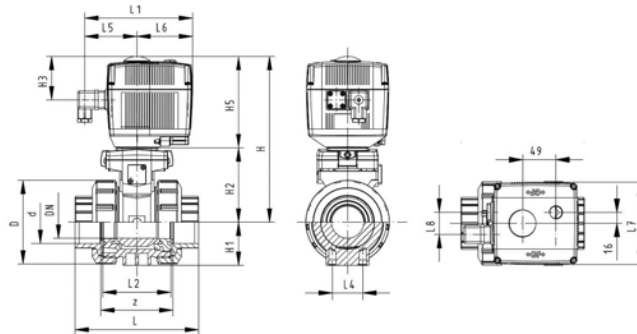
- Built on with electric actuator EA11
- Voltage 100-230 V, 50-60 Hz
- Control range 90°<
- Control time 5 s/90°<
- For easy installation and removal
- Integrated stainless steel mounting inserts

### Option:

- Individual configuration of the valve (see form)

d [mm]	DN [mm]	PN	kv-value ( $\Delta p=1$ bar) [l/min]	EPDM Code	FPM Code	kg
16	10	10	70	<b>199 107 502</b>	<b>199 107 512</b>	2.100
20	15	10	185	<b>199 107 503</b>	<b>199 107 513</b>	2.100
25	20	10	350	<b>199 107 504</b>	<b>199 107 514</b>	2.200
32	25	10	700	<b>199 107 505</b>	<b>199 107 515</b>	2.300
40	32	10	1000	<b>199 107 506</b>	<b>199 107 516</b>	2.600
50	40	10	1600	<b>199 107 507</b>	<b>199 107 517</b>	3.000
63	50	10	3100	<b>199 107 508</b>	<b>199 107 518</b>	3.800

d [mm]	D [mm]	H [mm]	H1 [mm]	H2 [mm]	H3 [mm]	H5 [mm]	L [mm]	L1 [mm]	L2 [mm]	L4 [mm]	L5 [mm]	L6 [mm]	L7 [mm]	L8 [mm]	z [mm]
16	50	200	27	64	64	137	93	161	56	25	77	83	122	33	67
20	50	200	27	64	64	137	95	161	56	25	77	83	122	33	66
25	58	209	30	73	64	137	108	161	65	25	77	83	122	33	77
32	68	209	36	73	64	137	118	161	71	25	77	83	122	33	83
40	84	220	44	84	64	137	137	161	85	45	77	83	122	33	99
50	97	220	51	84	64	137	147	161	89	45	77	83	122	33	105
63	124	243	64	106	64	137	168	161	101	45	77	83	122	33	117





DN10/15 - 50

## Ball valve type 107 PP-H 24V With manual emergency override With fusion sockets metric

### Model:

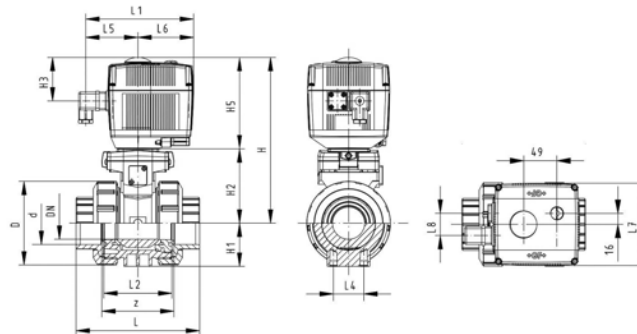
- Built on with electric actuator EA11
- Voltage 24 V AC/DC
- Control range 90°<
- Control time 5 s/90°<
- For easy installation and removal
- Integrated stainless steel mounting inserts

### Option:

- Individual configuration of the valve (see form)

d [mm]	DN [mm]	PN	kv-value ( $\Delta p=1$ bar) [l/min]	EPDM Code	FPM Code	kg
16	10	10	70	199 107 542	199 107 552	2.100
20	15	10	185	199 107 543	199 107 553	2.100
25	20	10	350	199 107 544	199 107 554	2.200
32	25	10	700	199 107 545	199 107 555	2.300
40	32	10	1000	199 107 546	199 107 556	2.600
50	40	10	1600	199 107 547	199 107 557	3.000
63	50	10	3100	199 107 548	199 107 558	3.800

d [mm]	D [mm]	H [mm]	H1 [mm]	H2 [mm]	H3 [mm]	H5 [mm]	L [mm]	L1 [mm]	L2 [mm]	L4 [mm]	L5 [mm]	L6 [mm]	L7 [mm]	L8 [mm]	z [mm]
16	50	200	27	64	64	137	93	161	56	25	77	83	122	33	67
20	50	200	27	64	64	137	95	161	56	25	77	83	122	33	66
25	58	209	30	73	64	137	108	161	65	25	77	83	122	33	77
32	68	209	36	73	64	137	118	161	71	25	77	83	122	33	83
40	84	220	44	84	64	137	137	161	85	45	77	83	122	33	99
50	97	220	51	84	64	137	147	161	89	45	77	83	122	33	105
63	124	243	64	106	64	137	168	161	101	45	77	83	122	33	117





DN10/15 - 50

## Ball valve type 107 PP-H 100-230V With manual emergency override With fusion spigots metric

### Model:

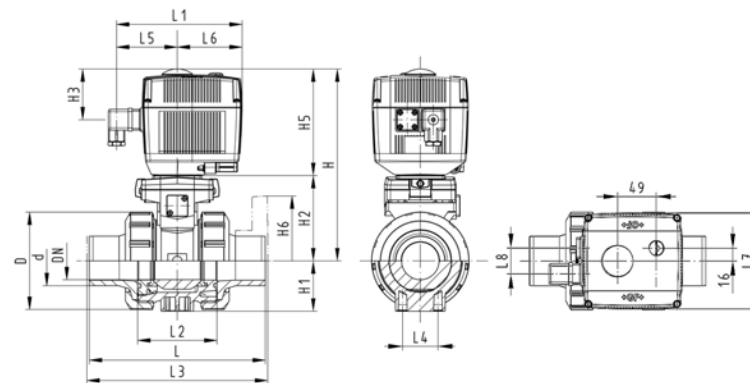
- Built on with electric actuator EA11
- Voltage 100-230 V, 50-60 Hz
- Control range 90°<
- Control time 5 s/90°<
- For easy installation and removal
- Integrated stainless steel mounting inserts

### Option:

- Individual configuration of the valve (see form)

d [mm]	DN [mm]	PN	kv-value ( $\Delta p=1$ bar) [l/min]	EPDM Code	FPM Code	kg
16	10	10	70	<b>199 107 522</b>	<b>199 107 532</b>	2.100
20	15	10	185	<b>199 107 523</b>	<b>199 107 533</b>	2.100
25	20	10	350	<b>199 107 524</b>	<b>199 107 534</b>	2.200
32	25	10	700	<b>199 107 525</b>	<b>199 107 535</b>	2.300
40	32	10	1000	<b>199 107 526</b>	<b>199 107 536</b>	2.600
50	40	10	1600	<b>199 107 527</b>	<b>199 107 537</b>	3.000
63	50	10	3100	<b>199 107 528</b>	<b>199 107 538</b>	3.800

d [mm]	D [mm]	H [mm]	H1 [mm]	H2 [mm]	H3 [mm]	H5 [mm]	L [mm]	L1 [mm]	L2 [mm]	L3 [mm]	L4 [mm]	L5 [mm]	L6 [mm]	L7 [mm]	L8 [mm]
16	50	200	27	64	64	137	110	161	56	130	25	77	83	122	33
20	50	200	27	64	64	137	120	161	56	130	25	77	83	122	33
25	58	209	30	73	64	137	139	161	65	150	25	77	83	122	33
32	68	209	36	73	64	137	150	161	71	160	25	77	83	122	33
40	84	220	44	84	64	137	170	161	85	180	45	77	83	122	33
50	97	220	51	84	64	137	190	161	89	200	45	77	83	122	33
63	124	243	64	106	64	137	220	161	101	230	45	77	83	122	33





DN10/15 - 50

## Ball valve type 107 PP-H 24V With manual emergency override With fusion spigots metric

### Model:

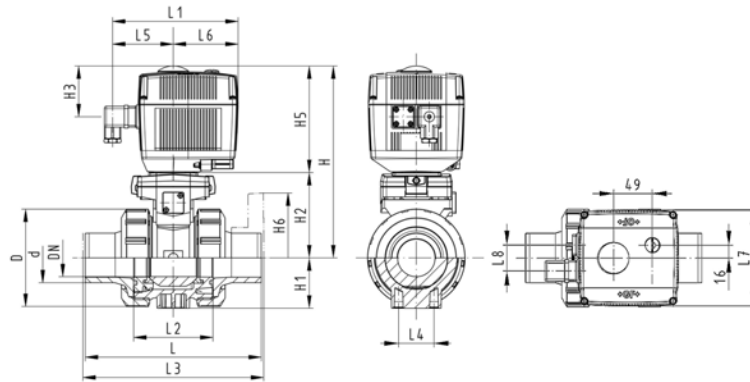
- Built on with electric actuator EA11
- Voltage 24 V AC/DC
- Control range 90°<
- Control time 5 s/90°<
- For easy installation and removal
- Integrated stainless steel mounting inserts

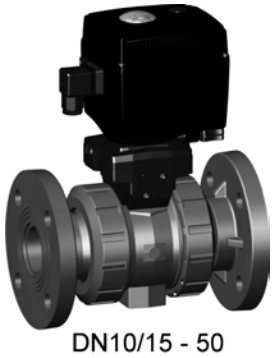
### Option:

- Individual configuration of the valve (see form)

d [mm]	DN [mm]	PN	kv-value ( $\Delta p=1$ bar) [l/min]	EPDM Code	FPM Code	kg
16	10	10	70	<b>199 107 562</b>	<b>199 107 572</b>	2.100
20	15	10	185	<b>199 107 563</b>	<b>199 107 573</b>	2.100
25	20	10	350	<b>199 107 564</b>	<b>199 107 574</b>	2.200
32	25	10	700	<b>199 107 565</b>	<b>199 107 575</b>	2.300
40	32	10	1000	<b>199 107 566</b>	<b>199 107 576</b>	2.600
50	40	10	1600	<b>199 107 567</b>	<b>199 107 577</b>	3.000
63	50	10	3100	<b>199 107 568</b>	<b>199 107 578</b>	3.800

d [mm]	D [mm]	H [mm]	H1 [mm]	H2 [mm]	H3 [mm]	H5 [mm]	L [mm]	L1 [mm]	L2 [mm]	L3 [mm]	L4 [mm]	L5 [mm]	L6 [mm]	L7 [mm]	L8 [mm]
16	50	200	27	64	64	137	110	161	56	130	25	77	83	122	33
20	50	200	27	64	64	137	120	161	56	130	25	77	83	122	33
25	58	209	30	73	64	137	139	161	65	150	25	77	83	122	33
32	68	209	36	73	64	137	156	161	71	160	25	77	83	122	33
40	84	220	44	84	64	137	170	161	85	180	45	77	83	122	33
50	97	220	51	84	64	137	190	161	89	200	45	77	83	122	33
63	124	243	64	106	64	137	220	161	101	230	45	77	83	122	33





DN10/15 - 50

## Ball valve type 107 PP-H 100-230V With manual emergency override With fixed flanges PP-H serrated metric

### Model:

- Built on with electric actuator EA11
- Voltage 100-230 V, 50-60 Hz
- Control range 90°<
- Control time 5 s/90°<
- For easy installation and removal
- Integrated stainless steel mounting inserts
- Overall length according to EN 558-1
- Connecting dimensions: ISO 7005 / EN 1092 / DIN 2501 PN10 / BS4504

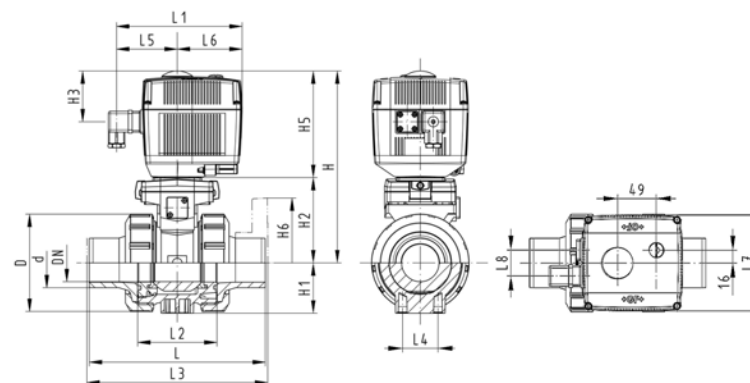
### Option:

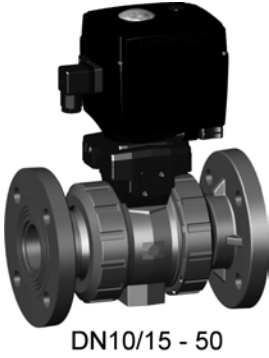
- Individual configuration of the valve (see form)

d [mm]	DN [mm]	Inch	PN	kv-value ( $\Delta p=1$ bar) [l/min]	EPDM Code	FPM Code	kg
20	15	½	10	185	<b>199 107 583</b>	<b>199 107 593</b>	2.300
25	20	¾	10	350	<b>199 107 584</b>	<b>199 107 594</b>	2.500
32	25	1	10	700	<b>199 107 585</b>	<b>199 107 595</b>	2.700
40	32	1 ¼	10	1000	<b>199 107 586</b>	<b>199 107 596</b>	3.200
50	40	1 ½	10	1600	<b>199 107 587</b>	<b>199 107 597</b>	3.700
63	50	2	10	3100	<b>199 107 588</b>	<b>199 107 598</b>	4.800

d [mm]	D [mm]	H [mm]	H1 [mm]	H2 [mm]	H3 [mm]	H5 [mm]	H6 [mm]	L [mm]	L1 [mm]	L2 [mm]	L3 [mm]	L4 [mm]	L5 [mm]	L6 [mm]	L7 [mm]
20	50	200	27	64	64	137	48	120	161	56	130	25	77	83	122
25	58	209	30	73	64	137	53	140	161	65	150	25	77	83	122
32	68	209	36	73	64	137	58	150	161	71	160	25	77	83	122
40	84	220	44	84	64	137	70	170	161	85	180	45	77	83	122
50	97	220	51	84	64	137	75	190	161	89	200	45	77	83	122
63	124	243	64	106	64	137	165	220	161	101	230	45	77	83	122

d [mm]	L8 [mm]
20	33
25	33
32	33
40	33
50	33
63	33





## Ball valve type 107 PP-H 24V

### With manual emergency override

### With fixed flanges PP-H serrated metric

#### Model:

- Built on with electric actuator EA11
- Voltage 24 V AC/DC
- Control range 90°<
- Control time 5 s/90°<
- For easy installation and removal
- Integrated stainless steel mounting inserts
- Overall length according to EN 558-1
- Connecting dimensions: ISO 7005 / EN 1092 / DIN 2501 PN10 / BS4504

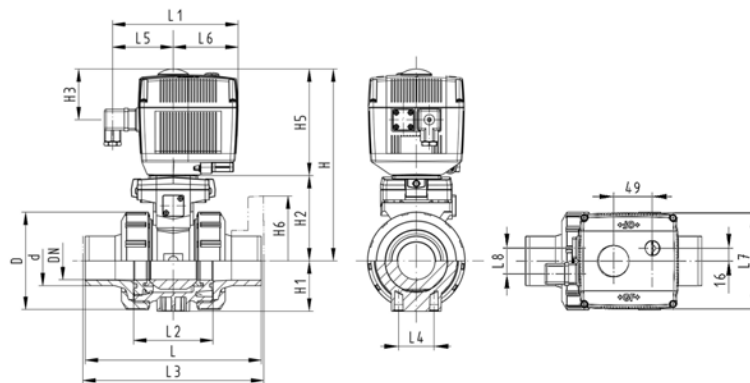
#### Option:

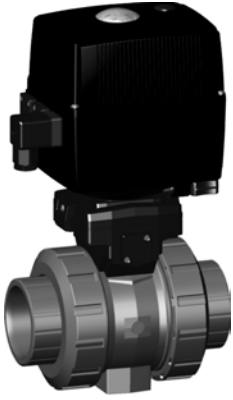
- Individual configuration of the valve (see form)

d [mm]	DN [mm]	Inch	PN	kv-value ( $\Delta p=1$ bar) [l/min]	EPDM Code	FPM Code	kg
20	15	½	10	185	<b>199 107 783</b>	<b>199 107 793</b>	2.300
25	20	¾	10	350	<b>199 107 784</b>	<b>199 107 794</b>	2.500
32	25	1	10	700	<b>199 107 785</b>	<b>199 107 795</b>	2.700
40	32	1 ¼	10	1000	<b>199 107 786</b>	<b>199 107 796</b>	3.200
50	40	1 ½	10	1600	<b>199 107 787</b>	<b>199 107 797</b>	3.700
63	50	2	10	3100	<b>199 107 788</b>	<b>199 107 798</b>	4.800

d [mm]	D [mm]	H [mm]	H1 [mm]	H2 [mm]	H3 [mm]	H5 [mm]	H6 [mm]	L [mm]	L1 [mm]	L2 [mm]	L3 [mm]	L4 [mm]	L5 [mm]	L6 [mm]	L7 [mm]
20	50	200	27	64	64	137	48	120	161	56	130	25	77	83	122
25	58	209	30	73	64	137	53	140	161	65	150	25	77	83	122
32	68	209	36	73	64	137	58	150	161	71	160	25	77	83	122
40	84	220	44	84	64	137	70	170	161	85	180	45	77	83	122
50	97	220	51	84	64	137	75	190	161	89	200	45	77	83	122
63	124	243	64	106	64	137	165	220	161	101	230	45	77	83	122

d [mm]	L8 [mm]
20	33
25	33
32	33
40	33
50	33
63	33





DN10/15 - 50




## Ball valve type 131 PP-H 100-230V With manual emergency override With fusion sockets metric




### Model:

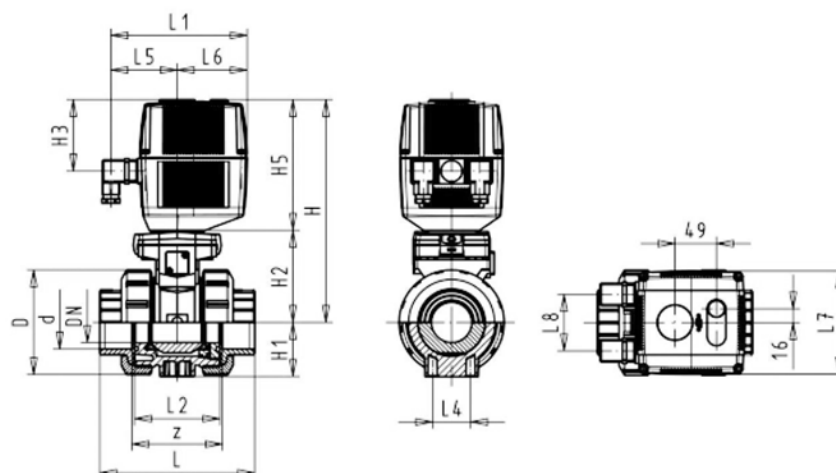
- Assignment of actuators EA21 (DN10/15-50), EA31 (DN65-100 if available)
- Image and drawing DN65-100 please see **New product ball valve DN65-100**
- For easy installation and removal
- Integrated stainless steel mounting inserts
- Voltage 100-230 V, 50-60 Hz
- Control range 90°<
- Control time: EA21: 5s/90°<, EA31: 15s/90°<

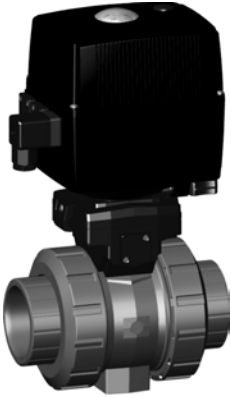
### Option:

- Individual configuration of the valve (see form)

d [mm]	DN [mm]	PN	kv-value ( $\Delta p=1$ bar) [l/min]	EPDM Code	FPM Code	kg
16	10	10	70	<b>199 131 002</b>	<b>199 131 012</b>	2.100
20	15	10	185	<b>199 131 003</b>	<b>199 131 013</b>	2.100
25	20	10	350	<b>199 131 004</b>	<b>199 131 014</b>	2.200
32	25	10	700	<b>199 131 005</b>	<b>199 131 015</b>	2.300
40	32	10	1000	<b>199 131 006</b>	<b>199 131 016</b>	2.600
50	40	10	1600	<b>199 131 007</b>	<b>199 131 017</b>	3.000
63	50	10	3100	<b>199 131 008</b>	<b>199 131 018</b>	3.800
 75	65	10	5000	<b>199 131 009</b>	<b>199 131 019</b>	3.600
 90	80	10	7000	<b>199 131 010</b>	<b>199 131 020</b>	4.300
 110	100	10	11000	<b>199 131 011</b>	<b>199 131 021</b>	5.500

d [mm]	D [mm]	H [mm]	H1 [mm]	H2 [mm]	H3 [mm]	H5 [mm]	L [mm]	L1 [mm]	L2 [mm]	L4 [mm]	L5 [mm]	L6 [mm]	L7 [mm]	z [mm]
16	50	231	27	64	94	167	93	180	56	25	97	83	122	67
20	50	231	27	64	94	167	95	180	56	25	97	83	122	66
25	58	240	30	73	94	167	108	180	65	25	97	83	122	77
32	68	240	36	73	94	167	118	180	71	25	97	83	122	83
40	84	251	44	84	94	167	137	180	85	45	97	83	122	99
50	97	251	51	84	94	167	147	180	89	45	97	83	122	105
63	124	273	64	106	94	167	168	180	101	45	97	83	122	117
 75	166	346	85	156	94	190	233	180	136	70	98	83	122	167
 90	200	358	105	168	94	190	254	180	141	70	98	83	122	180
 110	238	365	123	175	94	190	301	180	164	120	98	83	122	215





DN10/15 - 50

## Ball valve type 131 PP-H 24V With manual emergency override With fusion sockets metric

### Model:

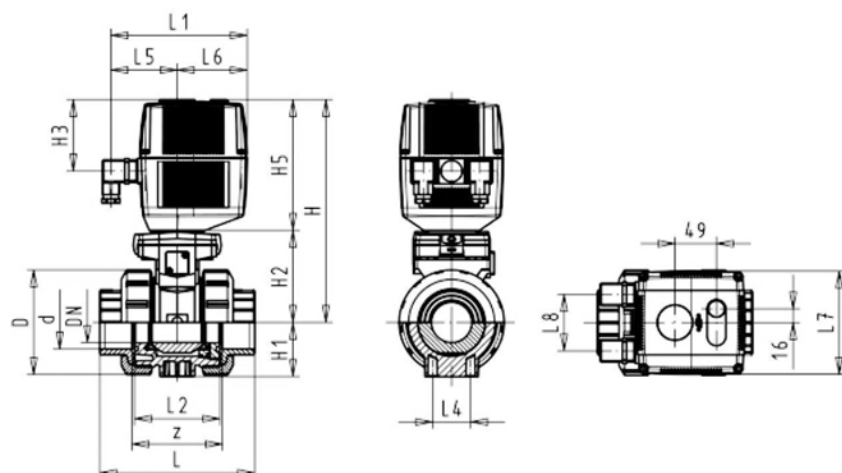
- Assignment of actuators EA21 (DN10/15-50), EA31 (DN65-100 if available)
- Image and drawing DN65-100 please see **New product ball valve DN65-100**
- For easy installation and removal
- Integrated stainless steel mounting inserts
- Voltage 24 V AC/DC
- Control range 90°<
- Control time: EA21: 5s/90°<, EA31: 15s/90°<

### Option:

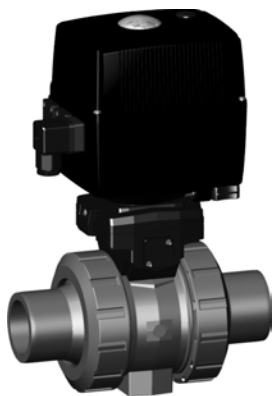
- Individual configuration of the valve (see form)

d [mm]	DN [mm]	PN	kv-value ( $\Delta p=1$ bar) [l/min]	EPDM Code	FPM Code	kg
16	10	10	70	<b>199 131 042</b>	<b>199 131 052</b>	2.100
20	15	10	185	<b>199 131 043</b>	<b>199 131 053</b>	2.100
25	20	10	350	<b>199 131 044</b>	<b>199 131 054</b>	2.200
32	25	10	700	<b>199 131 045</b>	<b>199 131 055</b>	2.300
40	32	10	1000	<b>199 131 046</b>	<b>199 131 056</b>	2.600
50	40	10	1600	<b>199 131 047</b>	<b>199 131 057</b>	3.000
63	50	10	3100	<b>199 131 048</b>	<b>199 131 058</b>	3.800
75	65	10	5000	<b>199 131 049</b>	<b>199 131 059</b>	3.600
90	80	10	7000	<b>199 131 050</b>	<b>199 131 060</b>	4.300
110	100	10	11000	<b>199 131 051</b>	<b>199 131 061</b>	5.500

d [mm]	D [mm]	H [mm]	H1 [mm]	H2 [mm]	H3 [mm]	H5 [mm]	L [mm]	L1 [mm]	L2 [mm]	L4 [mm]	L5 [mm]	L6 [mm]	L7 [mm]	z [mm]
16	50	231	27	64	94	167	93	180	56	25	97	83	122	67
20	50	231	27	64	94	167	95	180	56	25	97	83	122	66
25	58	240	30	73	94	167	108	180	65	25	97	83	122	77
32	68	240	36	73	94	167	118	180	71	25	97	83	122	83
40	84	251	44	84	94	167	137	180	85	45	97	83	122	99
50	97	251	51	84	94	167	147	180	89	45	97	83	122	105
63	124	273	64	106	94	167	168	180	101	45	97	83	122	117
75	166	346	85	156	94	190	233	180	136	70	98	83	122	167
90	200	358	105	168	94	190	254	180	141	70	98	83	122	180
110	238	365	123	175	94	190	301	180	164	120	98	83	122	215







DN10/15 - 50

## Ball valve type 131 PP-H 100-230V With manual emergency override With socket fusion spigots metric

### Model:

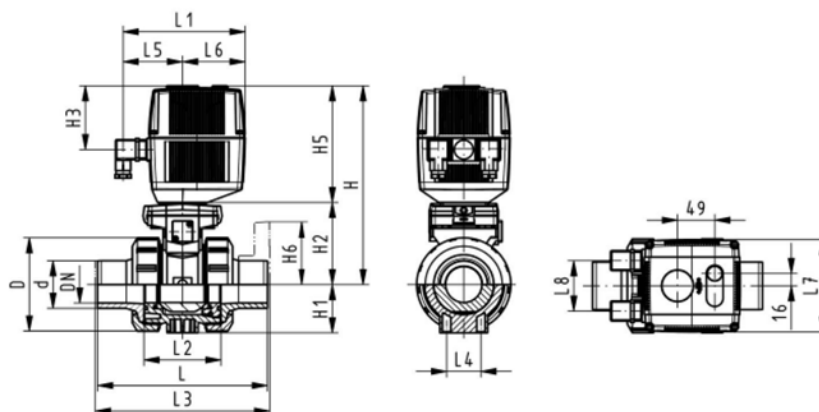
- Assignment of actuators EA21 (DN10/15-50), EA31 (DN65-100 if available)
- Image and drawing DN65-100 please see **New product ball valve DN65-100**
- For easy installation and removal
- Integrated stainless steel mounting inserts
- Voltage 100-230 V, 50-60 Hz
- Control range 90°<
- Control time: EA21: 5s/90°<, EA31: 15s/90°<

### Option:

- Individual configuration of the valve (see form)

d [mm]	DN [mm]	PN	kv-value ( $\Delta p=1$ bar) [l/min]	EPDM Code	FPM Code	kg
16	10	10	70	<b>199 131 022</b>	<b>199 131 032</b>	2.100
20	15	10	185	<b>199 131 023</b>	<b>199 131 033</b>	2.100
25	20	10	350	<b>199 131 024</b>	<b>199 131 034</b>	2.200
32	25	10	700	<b>199 131 025</b>	<b>199 131 035</b>	2.300
40	32	10	1000	<b>199 131 026</b>	<b>199 131 036</b>	2.600
50	40	10	1600	<b>199 131 027</b>	<b>199 131 037</b>	3.000
63	50	10	3100	<b>199 131 028</b>	<b>199 131 038</b>	3.800
75	65	10	5000	<b>199 131 029</b>	<b>199 131 039</b>	3.600
90	80	10	7000	<b>199 131 030</b>	<b>199 131 040</b>	4.400
110	100	10	11000	<b>199 131 031</b>	<b>199 131 041</b>	5.500

d [mm]	D [mm]	H [mm]	H1 [mm]	H2 [mm]	H3 [mm]	H5 [mm]	L [mm]	L1 [mm]	L2 [mm]	L3 [mm]	L4 [mm]	L5 [mm]	L6 [mm]	L7 [mm]
16	50	231	27	64	94	167	110	180	56	130	25	97	83	122
20	50	231	27	64	94	167	120	180	56	130	25	97	83	122
25	58	240	30	73	94	167	139	180	65	150	25	97	83	122
32	68	240	36	73	94	167	150	180	71	160	25	97	83	122
40	84	251	44	84	94	167	170	180	85	180	45	97	83	122
50	97	251	51	84	94	167	190	180	89	200	45	97	83	122
63	124	273	64	106	94	167	220	180	101	230	45	97	83	122
75	166	346	85	156	94	190	280	180	136	290	70	98	83	122
90	200	358	105	168	94	190	296	180	141	310	70	98	83	122
110	238	365	123	175	94	190	336	180	164	350	120	98	83	122





DN10/15 - 50




## Ball valve type 131 PP-H 24V With manual emergency override With socket fusion spigots metric




### Model:

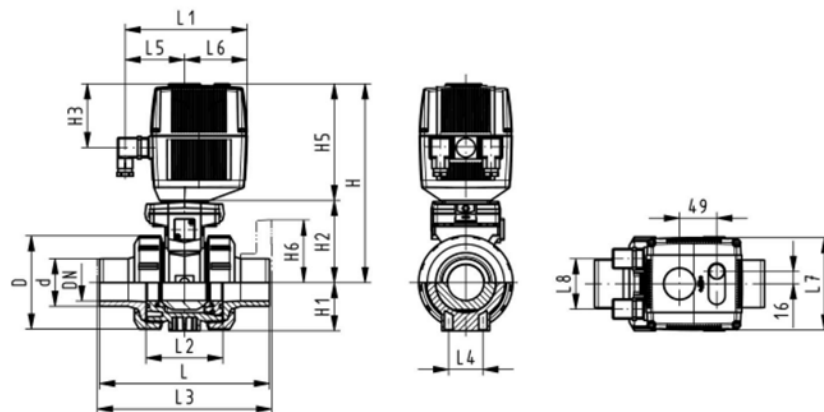
- Assignment of actuators EA21 (DN10/15-50), EA31 (DN65-100 if available)
- Image and drawing DN65-100 please see **New product ball valve DN65-100**
- For easy installation and removal
- Integrated stainless steel mounting inserts
- Voltage 24 V AC/DC
- Control range 90°<
- Control time: EA21: 5s/90°<, EA31: 15s/90°<

### Option:

- Individual configuration of the valve (see form)

d [mm]	DN [mm]	PN	kv-value ( $\Delta p=1$ bar) [l/min]	EPDM Code	FPM Code	kg
16	10	10	70	<b>199 131 062</b>	<b>199 131 072</b>	2.100
20	15	10	185	<b>199 131 063</b>	<b>199 131 073</b>	2.100
25	20	10	350	<b>199 131 064</b>	<b>199 131 074</b>	2.200
32	25	10	700	<b>199 131 065</b>	<b>199 131 075</b>	2.300
40	32	10	1000	<b>199 131 066</b>	<b>199 131 076</b>	2.600
50	40	10	1600	<b>199 131 067</b>	<b>199 131 077</b>	3.000
63	50	10	3100	<b>199 131 068</b>	<b>199 131 078</b>	3.800
 75	65	10	5000	<b>199 131 069</b>	<b>199 131 079</b>	3.600
 90	80	10	7000	<b>199 131 070</b>	<b>199 131 080</b>	4.400
 110	100	10	11000	<b>199 131 071</b>	<b>199 131 081</b>	5.500

d [mm]	D [mm]	H [mm]	H1 [mm]	H2 [mm]	H3 [mm]	H5 [mm]	L [mm]	L1 [mm]	L2 [mm]	L3 [mm]	L4 [mm]	L5 [mm]	L6 [mm]	L7 [mm]
16	50	231	27	64	94	167	110	180	56	130	25	97	83	122
20	50	231	27	64	94	167	120	180	56	130	25	97	83	122
25	58	240	30	73	94	167	139	180	65	150	25	97	83	122
32	68	240	36	73	94	167	150	180	71	160	25	97	83	122
40	84	251	44	84	94	167	170	180	85	180	45	97	83	122
50	97	251	51	84	94	167	190	180	89	200	45	97	83	122
63	124	273	64	106	94	167	220	180	101	230	45	97	83	122
 75	166	346	85	156	94	190	280	180	136	290	70	98	83	122
 90	200	358	105	168	94	190	296	180	141	310	70	98	83	122
 110	238	365	123	175	94	190	336	180	164	350	120	98	83	122





## Ball valve type 131 PP-H 100-230V With manual emergency override With fixed flanges PP-H serrated metric

### Model:

- Assignment of actuators EA21 (DN10/15-50), EA31 (DN65-100 if available)
- Image and drawing DN65-100 please see **New product ball valve DN65-100**
- For easy installation and removal
- Integrated stainless steel mounting inserts
- Voltage 100-230 V, 50-60 Hz
- Control range 90°<
- Control time: EA21: 5s/90°<, EA31: 15s/90°<
- Overall length according to EN 558-1
- Connecting dimensions: ISO 7005 / EN 1092 / DIN 2501 PN10 / BS4504

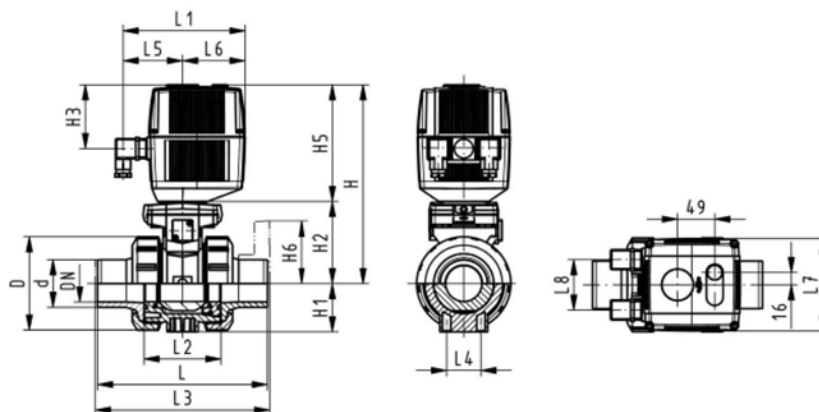
### Option:

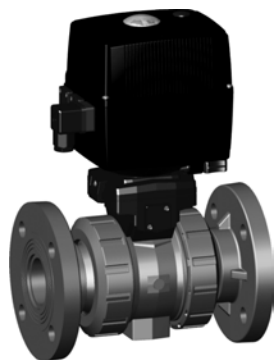
- Individual configuration of the valve (see form)

d [mm]	DN [mm]	Inch	PN	kv-value ( $\Delta p=1$ bar) [l/min]	EPDM Code	FPM Code	kg
20	15	½	10	185	<b>199 131 083</b>	<b>199 131 093</b>	2.300
25	20	¾	10	350	<b>199 131 084</b>	<b>199 131 094</b>	2.500
32	25	1	10	700	<b>199 131 085</b>	<b>199 131 095</b>	2.700
40	32	1 ¼	10	1000	<b>199 131 086</b>	<b>199 131 096</b>	3.200
50	40	1 ½	10	1600	<b>199 131 087</b>	<b>199 131 097</b>	3.700
63	50	2	10	3100	<b>199 131 088</b>	<b>199 131 098</b>	4.800

d [mm]	D [mm]	H [mm]	H1 [mm]	H2 [mm]	H3 [mm]	H5 [mm]	H6 [mm]	L [mm]	L1 [mm]	L2 [mm]	L3 [mm]	L4 [mm]	L5 [mm]	L6 [mm]	L7 [mm]
20	50	231	27	64	94	167	48	120	180	56	130	25	97	83	122
25	58	240	30	73	94	167	53	140	180	65	150	25	97	83	122
32	68	240	36	73	94	167	58	150	180	71	160	25	97	83	122
40	84	251	44	84	94	167	70	170	180	85	180	45	97	83	122
50	97	251	51	84	94	167	75	190	180	89	200	45	97	83	122
63	124	273	64	106	94	167	165	220	180	101	230	45	97	83	122

d [mm]	L8 [mm]
20	66
25	66
32	66
40	66
50	66
63	66





DN10/15 - 50

## Ball valve type 131 PP-H 24V With manual emergency override With fixed flanges PP-H serrated metric

### Model:

- Assignment of actuators EA21 (DN10/15-50), EA31 (DN65-100 if available)
- Image and drawing DN65-100 please see **New product ball valve DN65-100**
- For easy installation and removal
- Integrated stainless steel mounting inserts
- Voltage 24 V AC/DC
- Control range 90°<
- Control time: EA21: 5s/90°<, EA31: 15s/90°<
- Overall length according to EN 558-1
- Connecting dimensions: ISO 7005 / EN 1092 / DIN 2501 PN10 / BS4504

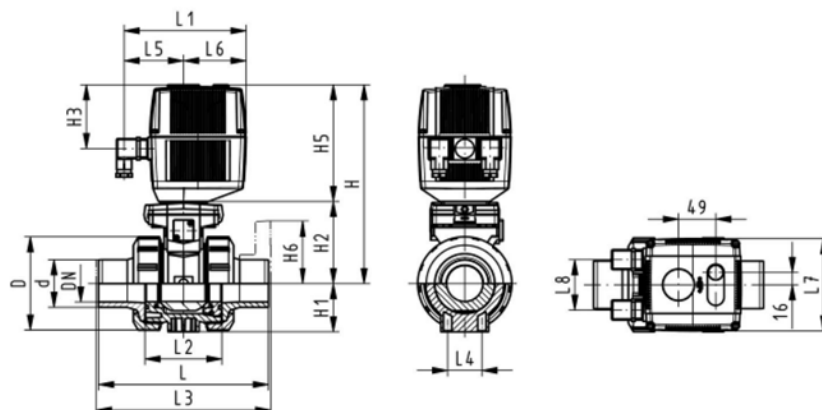
### Option:

- Individual configuration of the valve (see form)

d [mm]	DN [mm]	Inch	PN	kv-value ( $\Delta p=1$ bar) [l/min]	EPDM Code	FPM Code	kg
20	15	½	10	185	<b>199 131 103</b>	<b>199 131 113</b>	2.300
25	20	¾	10	350	<b>199 131 104</b>	<b>199 131 114</b>	2.500
32	25	1	10	700	<b>199 131 105</b>	<b>199 131 115</b>	2.700
40	32	1 ¼	10	1000	<b>199 131 106</b>	<b>199 131 116</b>	3.200
50	40	1 ½	10	1600	<b>199 131 107</b>	<b>199 131 117</b>	3.700
63	50	2	10	3100	<b>199 131 108</b>	<b>199 131 118</b>	4.800

d [mm]	D [mm]	H [mm]	H1 [mm]	H2 [mm]	H3 [mm]	H5 [mm]	H6 [mm]	L [mm]	L1 [mm]	L2 [mm]	L3 [mm]	L4 [mm]	L5 [mm]	L6 [mm]	L7 [mm]
20	50	231	27	64	94	167	48	120	180	56	130	25	97	83	122
25	58	240	30	73	94	167	53	140	180	65	150	25	97	83	122
32	68	240	36	73	94	167	58	150	180	71	160	25	97	83	122
40	84	251	44	84	94	167	70	170	180	85	180	45	97	83	122
50	97	251	51	84	94	167	75	190	180	89	200	45	97	83	122
63	124	273	64	106	94	167	165	220	180	101	230	45	97	83	122

d [mm]	L8 [mm]
20	66
25	66
32	66
40	66
50	66
63	66





## Ball valve type 131 PP-H 100-230V With manual emergency override With butt fusion spigots SDR11 metric

### Model:

- Assignment of actuators EA21 (DN10/15-50), EA31 (DN65-100 if available)
- Image and drawing DN65-100 please see **New product ball valve DN65-100**
- For easy installation and removal
- Integrated stainless steel mounting inserts
- Voltage 100-230 V, 50-60 Hz
- Control range 90°<
- Control time: EA21: 5s/90°<, EA31: 15s/90°<

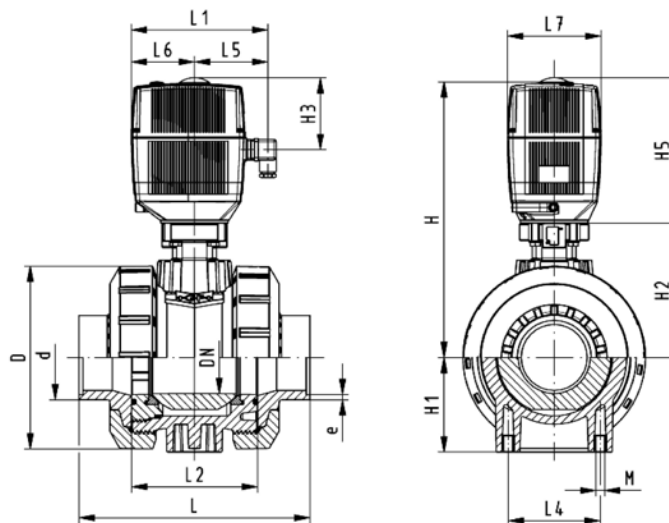
### Option:

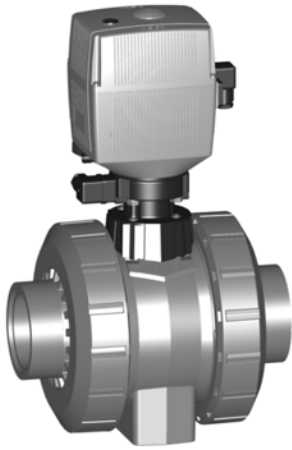
- Individual configuration of the valve (see form)

d [mm]	DN [mm]	PN	kv-value ( $\Delta p=1$ bar) [l/min]	EPDM Code	FPM Code	kg
75	65	10	5000	<b>199 131 329</b>	<b>199 131 339</b>	3.600
90	80	10	7000	<b>199 131 330</b>	<b>199 131 340</b>	4.400
110	100	10	11000	<b>199 131 331</b>	<b>199 131 341</b>	5.500

d [mm]	D [mm]	H [mm]	H1 [mm]	H2 [mm]	H3 [mm]	H5 [mm]	L [mm]	L1 [mm]	L2 [mm]	L3 [mm]	L4 [mm]	L5 [mm]	L6 [mm]	L7 [mm]
75	166	346	85	156	94	190	266	180	136	290	70	98	83	122
90	200	358	105	168	94	190	264	180	141	310	70	98	83	122
110	238	365	123	175	94	190	301	180	164	350	120	98	83	122

d [mm]	e [mm]
75	8.2
90	9.9
110	12.0





## Ball valve type 131 PP-H 24V

### With manual emergency override

### With butt fusion spigots SDR11 metric

#### Model:

- Assignment of actuators EA21 (DN10/15-50), EA31 (DN65-100 if available)
- Image and drawing DN65-100 please see **New product ball valve DN65-100**
- For easy installation and removal
- Integrated stainless steel mounting inserts
- Voltage 24 V AC/DC
- Control range 90°<
- Control time: EA21: 5s/90°<, EA31: 15s/90°<

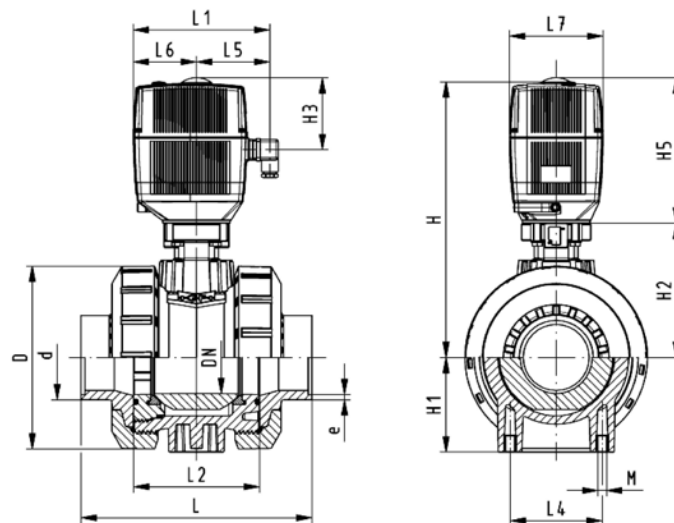
#### Option:

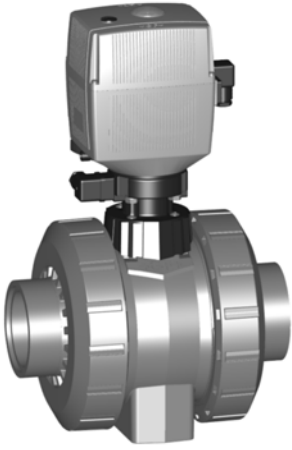
- Individual configuration of the valve (see form)

d [mm]	DN [mm]	PN	kv-value ( $\Delta p=1$ bar) [l/min]	EPDM Code	FPM Code	kg
75	65	10	5000	<b>199 131 369</b>	<b>199 131 379</b>	3.600
90	80	10	7000	<b>199 131 370</b>	<b>199 131 380</b>	4.400
110	100	10	11000	<b>199 131 371</b>	<b>199 131 381</b>	5.500

d [mm]	D [mm]	H [mm]	H1 [mm]	H2 [mm]	H3 [mm]	H5 [mm]	L [mm]	L1 [mm]	L2 [mm]	L3 [mm]	L4 [mm]	L5 [mm]	L6 [mm]	L7 [mm]
75	166	346	85	156	94	190	266	180	136	290	70	98	83	122
90	200	358	105	168	94	190	264	180	141	310	70	98	83	122
110	238	365	123	175	94	190	301	180	164	350	120	98	83	122

d [mm]	e [mm]
75	8.2
90	9.9
110	12.0





## Ball valve type 131 PP-H 100-230V With manual emergency override With butt fusion spigots SDR17.6 metric

### Model:

- Assignment of actuators EA21 (DN10/15-50), EA31 (DN65-100 if available)
- Image and drawing DN65-100 please see **New product ball valve DN65-100**
- For easy installation and removal
- Integrated stainless steel mounting inserts
- Voltage 100-230 V, 50-60 Hz
- Control range 90°<
- Control time: EA21: 5s/90°<, EA31: 15s/90°<

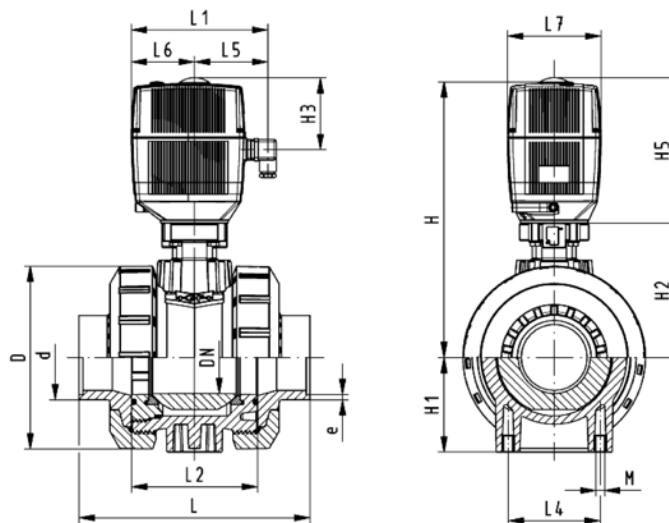
### Option:

- Individual configuration of the valve (see form)

d [mm]	DN [mm]	PN	kv-value ( $\Delta p=1$ bar) [l/min]	EPDM Code	FPM Code	kg	
75	65	10	5000	<b>199 131 729</b>	<b>199 131 739</b>	3.600	
90	80	10	7000	<b>199 131 730</b>	<b>199 131 740</b>	4.400	
110	100	10	11000	<b>199 131 731</b>	<b>199 131 741</b>	5.500	

d [mm]	D [mm]	H [mm]	H1 [mm]	H2 [mm]	H3 [mm]	H5 [mm]	L [mm]	L1 [mm]	L2 [mm]	L3 [mm]	L4 [mm]	L5 [mm]	L6 [mm]	L7 [mm]
75	166	346	85	156	94	190	266	180	136	290	70	98	83	122
90	200	358	105	168	94	190	264	180	141	310	70	98	83	122
110	238	365	123	175	94	190	301	180	164	350	120	98	83	122

d [mm]	e [mm]
75	4.6
90	5.5
110	6.7





## Ball valve type 131 PP-H 24V

### With manual emergency override

### With butt fusion spigots SDR17.6 metric

#### Model:

- Assignment of actuators EA21 (DN10/15-50), EA31 (DN65-100 if available)
- Image and drawing DN65-100 please see **New product ball valve DN65-100**
- For easy installation and removal
- Integrated stainless steel mounting inserts
- Voltage 24 V AC/DC
- Control range 90°<
- Control time: EA21: 5s/90°<, EA31: 15s/90°<

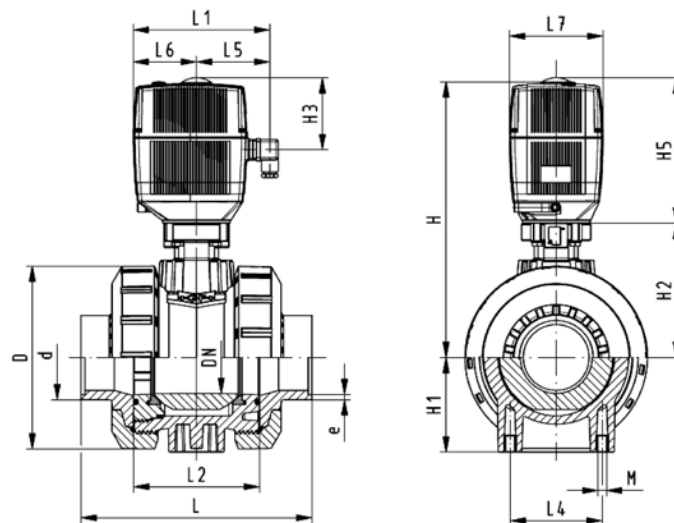
#### Option:

- Individual configuration of the valve (see form)

d [mm]	DN [mm]	PN	kv-value ( $\Delta p=1$ bar) [l/min]	EPDM Code	FPM Code	kg
75	65	10	5000	<b>199 131 769</b>	<b>199 131 779</b>	3.600
90	80	10	7000	<b>199 131 770</b>	<b>199 131 780</b>	4.400
110	100	10	11000	<b>199 131 771</b>	<b>199 131 781</b>	5.500

d [mm]	D [mm]	H [mm]	H1 [mm]	H2 [mm]	H3 [mm]	H5 [mm]	L [mm]	L1 [mm]	L2 [mm]	L3 [mm]	L4 [mm]	L5 [mm]	L6 [mm]	L7 [mm]
75	166	346	85	156	94	190	266	180	136	290	70	98	83	122
90	200	358	105	168	94	190	264	180	141	310	70	98	83	122
110	238	365	123	175	94	190	301	180	164	350	120	98	83	122

d [mm]	e [mm]
75	4.6
90	5.5
110	6.7







## Ball valve type 131 PP-H 100-230V With manual emergency override With backing flanges PP-st metric

### Model:

- Assignment of actuators EA21 (DN10/15-50), EA31 (DN65-100 if available)
- Image and drawing DN65-100 please see **New product ball valve DN65-100**
- For easy installation and removal
- Integrated stainless steel mounting inserts
- Voltage 100-230 V, 50-60 Hz
- Control range 90°<
- Control time: EA21: 5s/90°<, EA31: 15s/90°<
- Overall length according to EN 558-1
- Connecting dimensions: ISO 7005, EN 1092, BS 4504, DIN 2501; bolt circle PN 10

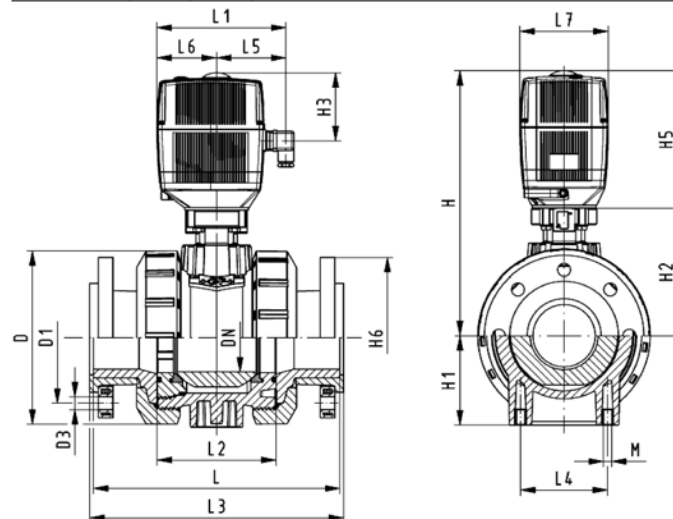
### Option:

- Individual configuration of the valve (see form)

d [mm]	DN [mm]	Inch	PN	kv-value ( $\Delta p=1$ bar) [l/min]	EPDM Code	FPM Code	kg
75	65	2 1/2	10	5000	<b>199 131 129</b>	<b>199 131 139</b>	7.900
90	80	3	10	7000	<b>199 131 130</b>	<b>199 131 140</b>	9.600
110	100	4	10	11000	<b>199 131 131</b>	<b>199 131 141</b>	12.700

d [mm]	D [mm]	H [mm]	H1 [mm]	H2 [mm]	H3 [mm]	H5 [mm]	H6 [mm]	L [mm]	L1 [mm]	L2 [mm]	L3 [mm]	L4 [mm]	L5 [mm]	L6 [mm]
75	166	346	85	156	94	190	93	280	180	136	290	70	98	83
90	200	358	105	168	94	190	100	296	180	141	310	70	98	83
110	238	365	123	175	94	190	110	336	180	164	350	120	98	83

d [mm]	L7 [mm]	L8 [mm]
75	122	66
90	122	66
110	122	66





## Ball valve type 131 PP-H 24V With manual emergency override With backing flanges PP-st metric

### Model:

- Assignment of actuators EA21 (DN10/15-50), EA31 (DN65-100 if available)
- Image and drawing DN65-100 please see **New product ball valve DN65-100**
- For easy installation and removal
- Integrated stainless steel mounting inserts
- Voltage 24 V AC/DC
- Control range 90°<
- Control time: EA21: 5s/90°<, EA31: 15s/90°<
- Overall length according to EN 558-1
- Connecting dimensions: ISO 7005, EN 1092, BS 4504, DIN 2501; bolt circle PN 10

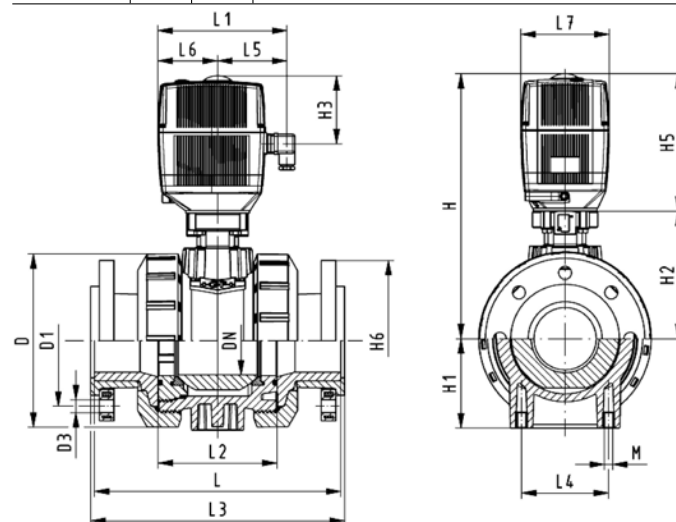
### Option:

- Individual configuration of the valve (see form)

d [mm]	DN [mm]	Inch	PN	kv-value ( $\Delta p=1$ bar) [l/min]	EPDM Code	FPM Code	kg
75	65	2 ½	10	5000	<b>199 131 149</b>	<b>199 131 159</b>	7.900
90	80	3	10	7000	<b>199 131 150</b>	<b>199 131 160</b>	9.600
110	100	4	10	11000	<b>199 131 151</b>	<b>199 131 161</b>	12.700

d [mm]	D [mm]	H [mm]	H1 [mm]	H2 [mm]	H3 [mm]	H5 [mm]	H6 [mm]	L [mm]	L1 [mm]	L2 [mm]	L3 [mm]	L4 [mm]	L5 [mm]	L6 [mm]
75	166	346	85	156	94	190	93	280	180	136	290	70	98	83
90	200	358	105	168	94	190	100	296	180	141	310	70	98	83
110	238	365	123	175	94	190	110	336	180	164	350	120	98	83

d [mm]	L7 [mm]	L8 [mm]
75	122	66
90	122	66
110	122	66





## Ball valve type 131 PP-H 100-230V With manual emergency override With backing flanges PP-st ASTM

### Model:

- Assignment of actuators EA21 (DN10/15-50), EA31 (DN65-100 if available)
- Image and drawing DN65-100 please see **New product ball valve DN65-100**
- For easy installation and removal
- Control time 5 s/90°<
- Integrated stainless steel mounting inserts
- Voltage 100-230 V, 50-60 Hz
- Control range 90°<
- Control time: EA21: 5s/90°<, EA31: 15s/90°<
- Overall length according to EN 558-1
- Connecting dimension ANSI/ASME B 16.5 / ASTM D 4024

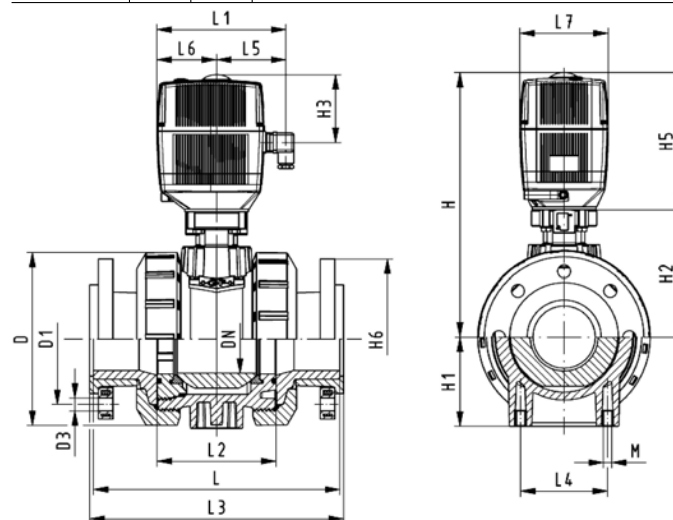
### Option:

- Individual configuration of the valve (see form)

d [mm]	DN [mm]	Inch	PN	kv-value ( $\Delta p=1$ bar) [l/min]	EPDM Code	FPM Code	kg
75	65	2 1/2	10	5000	<b>199 131 529</b>	<b>199 131 539</b>	7.900
90	80	3	10	7000	<b>199 131 530</b>	<b>199 131 540</b>	9.600
110	100	4	10	11000	<b>199 131 531</b>	<b>199 131 541</b>	12.700

d [mm]	D [mm]	H [mm]	H1 [mm]	H2 [mm]	H3 [mm]	H5 [mm]	H6 [mm]	L [mm]	L1 [mm]	L2 [mm]	L3 [mm]	L4 [mm]	L5 [mm]	L6 [mm]
75	166	346	85	156	94	190	93	280	180	136	290	70	98	83
90	200	358	105	168	94	190	100	296	180	141	310	70	98	83
110	238	365	123	175	94	190	110	336	180	164	350	120	98	83

d [mm]	L7 [mm]	L8 [mm]
75	122	66
90	122	66
110	122	66





## Ball valve type 131 PP-H 24V With manual emergency override With backing flanges PP-st ASTM

### Model:

- Assignment of actuators EA21 (DN10/15-50), EA31 (DN65-100 if available)
- Image and drawing DN65-100 please see **New product ball valve DN65-100**
- For easy installation and removal
- Integrated stainless steel mounting inserts
- Voltage 24 V AC/DC
- Control range 90°<
- Control time: EA21: 5s/90°<, EA31: 15s/90°<
- Overall length according to EN 558-1
- Connecting dimension ANSI/ASME B 16.5 / ASTM D 4024

### Option:

- Individual configuration of the valve (see form)

d [mm]	DN [mm]	Inch	PN	kv-value ( $\Delta p=1$ bar) [l/min]	EPDM Code	FPM Code	kg
75	65	2 ½	10	5000	<b>199 131 549</b>	<b>199 131 559</b>	7.900
90	80	3	10	7000	<b>199 131 550</b>	<b>199 131 560</b>	9.600
110	100	4	10	11000	<b>199 131 551</b>	<b>199 131 561</b>	12.700

d [mm]	D [mm]	H [mm]	H1 [mm]	H2 [mm]	H3 [mm]	H5 [mm]	H6 [mm]	L [mm]	L1 [mm]	L2 [mm]	L3 [mm]	L4 [mm]	L5 [mm]	L6 [mm]
75	166	346	85	156	94	190	93	280	180	136	290	70	98	83
90	200	358	105	168	94	190	100	296	180	141	310	70	98	83
110	238	365	123	175	94	190	110	336	180	164	350	120	98	83

d [mm]	L7 [mm]	L8 [mm]
75	122	66
90	122	66
110	122	66

